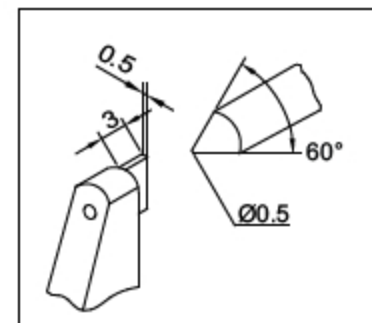
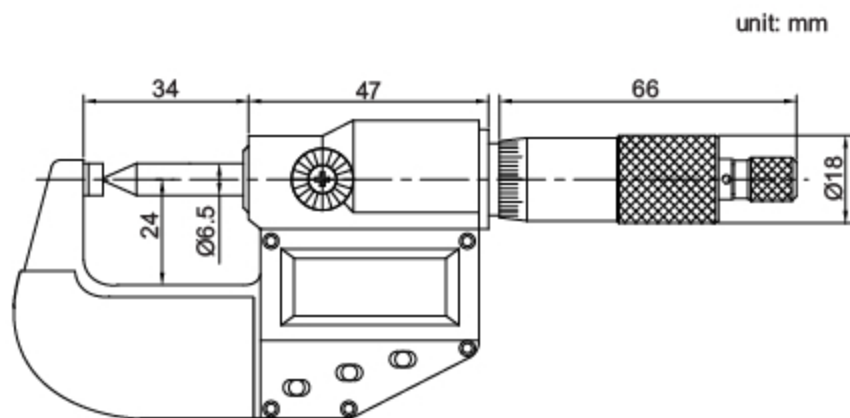


- ◆ Measure the height of crimp contact
- ◆ Resolution 0.001mm/0.00005"
- ◆ IP54 protection level
- ◆ Button: on/off, set, mm/inch, ABS/INC, data output
- ◆ Data output
- ◆ Automatic power off
- ◆ Ratchet stop



Code	Range	Accuracy
319-001-01	0-25mm/0-1"	±4μm