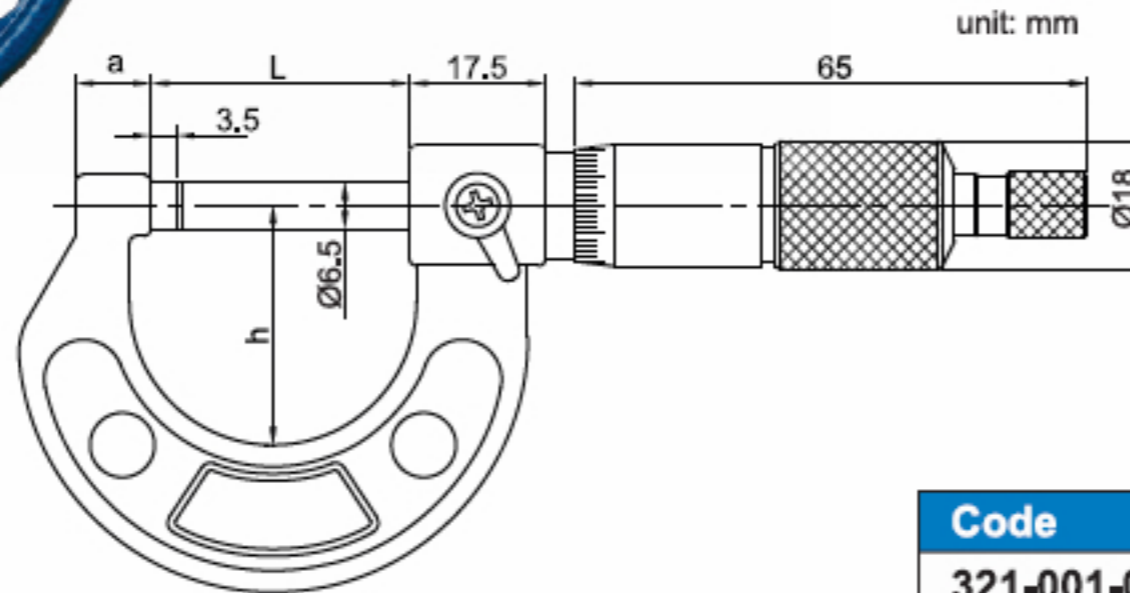


OUTSIDE MICROMETER

SERIES 321



- ◆ Graduation: 0.01mm
- ◆ Carbide measuring faces
- ◆ Ratchet stop
- ◆ Setting standards are included (except 321-001-01)

INDIVIDUAL MICROMETER

OUTSIDE MICROMETER SET

Code	Range	Total QTY.	Included micrometers
321-003-03	0-75mm	3pcs	0-25, 25-50, 50-75mm
321-004-04	0-100mm	4pcs	0-25, 25-50, 50-75, 75-100mm
321-006-06	0-150mm	6pcs	0-25, 25-50, 50-75, 75-100, 100-125, 125-150mm
321-012-06	150-300mm	6pcs	150-175, 175-200, 200-225, 225-250, 250-275, 275-300mm
321-012-12	0-300mm	12pcs	0-25, 25-50, 50-75, 75-100, 100-125, 125-150, 150-175, 175-200, 200-225, 225-250, 250-275, 275-300mm

Code	Range	Accuracy	a	h	L
321-001-01	0-25mm	4µm	9	29	32
321-002-01	25-50mm	4µm	9	39	58
321-003-01	50-75mm	5µm	10	53	83
321-004-01	75-100mm	5µm	10	65	109
321-005-01	100-125mm	6µm	11.5	76	133
321-006-01	125-150mm	6µm	11.5	88	159
321-007-01	150-175mm	7µm	11.5	101	185
321-008-01	175-200mm	7µm	11.5	114	210
321-009-01	200-225mm	8µm	11.5	126	235
321-010-01	225-250mm	8µm	12	139	260
321-011-01	250-275mm	9µm	12.5	151	286
321-012-01	275-300mm	9µm	12.5	164	311