

## SERIES 322

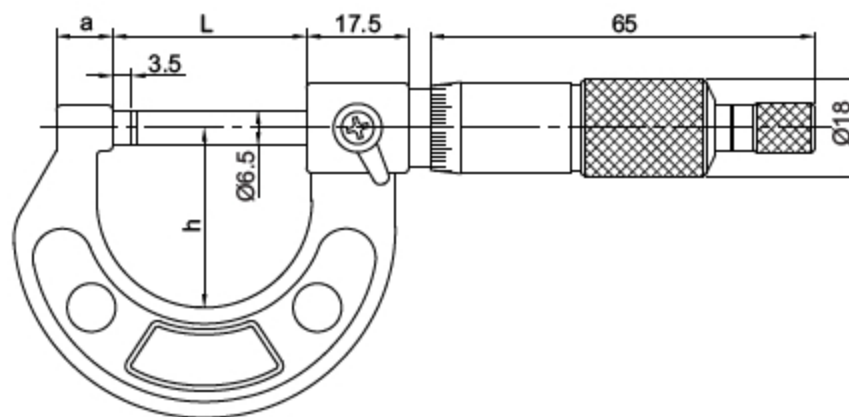
## MICRO GRADUATION OUTSIDE MICROMETER

- ◆ Graduation: 0.001mm
- ◆ Carbide measuring faces
- ◆ Ratchet stop
- ◆ Setting standards are included (except 322-001-01)



322-001-01

unit: mm



Code	Range	Accuracy	a	h	L
322-001-01	0-25mm	4 $\mu$ m	9	29	32
322-002-01	25-50mm	4 $\mu$ m	9	39	58
322-003-01	50-75mm	5 $\mu$ m	10	53	83
322-004-01	75-100mm	5 $\mu$ m	10	65	109