

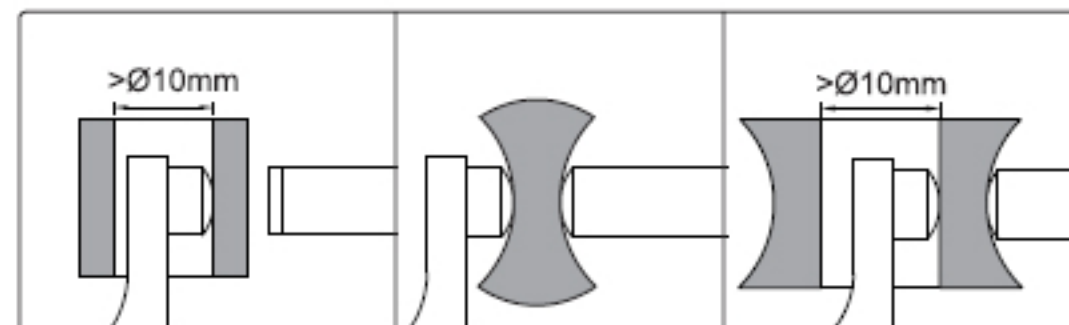
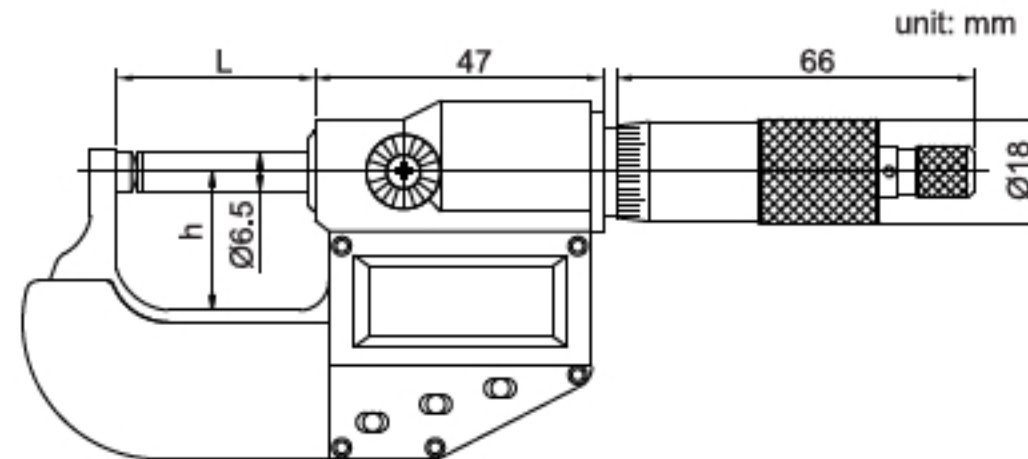
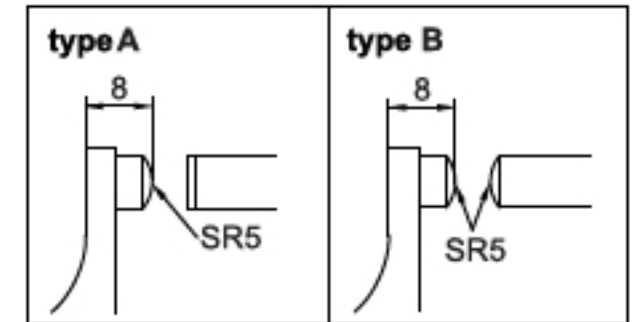
SERIES 331

DIGITAL SPHERICAL ANVIL TUBE MICROMETER

- ◆ Measure wall thickness of tubes
- ◆ Resolution 0.001mm/0.00005"
- ◆ IP54 protection level
- ◆ Button: on/off, set, mm/inch, ABS/INC, data output
- ◆ Data output
- ◆ Automatic power off
- ◆ Ratchet stop
- ◆ Carbide measuring faces
- ◆ Supplied with setting standards (except 0-25mm/0-1")



331-001-01



Code	Range	Accuracy	Type	L	h
331-001-01	0-25mm/0-1"	4µm	A	32	24
331-002-01	25-50mm/1-2"	4µm	A	57	32
331-003-01	50-75mm/2-3"	5µm	A	82	44.5
331-004-01	75-100mm/3-4"	5µm	A	107	57
331-001-02	0-25mm/0-1"	4µm	B	32	24
331-002-02	25-50mm/1-2"	4µm	B	57	32
331-003-02	50-75mm/2-3"	5µm	B	82	44.5
331-004-02	75-100mm/3-4"	5µm	B	107	57