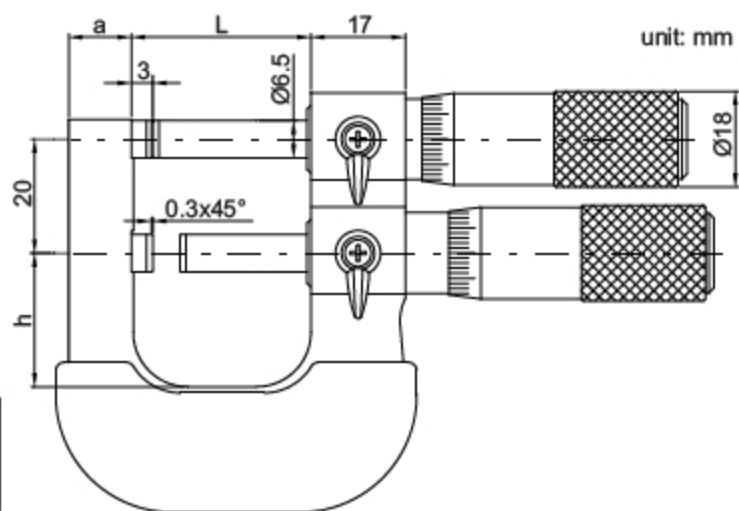


SERIES 335

LIMIT MICROMETER

- ◆ Used as Go/No-Go gauge by setting upper and lower limits
- ◆ Graduation 0.002mm
- ◆ Carbide measuring faces
- ◆ Supplied with setting standard (except **335-001-01**)



Code	Range	Accuracy	L	a	h
335-001-01	0-25mm	4µm	32	12	24
335-002-01	25-50mm	4µm	57	15	32