

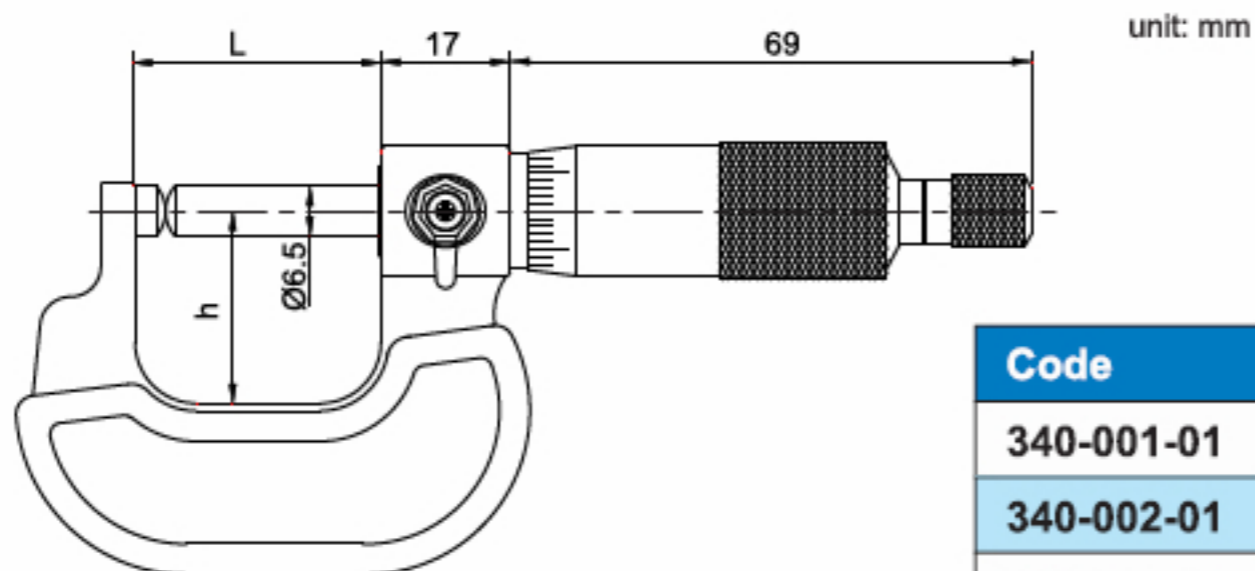
# SPHERICAL ANVIL TUBE MICROMETER

## SERIES 340

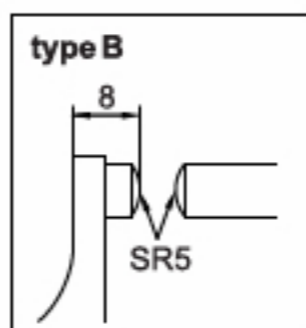
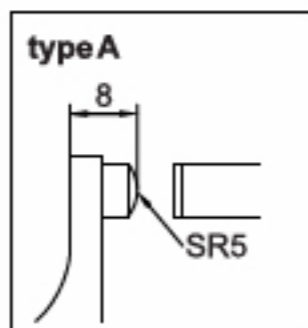


340-001-01

- ◆ Measure wall thickness of tubes
- ◆ Graduation: 0.01mm
- ◆ Carbide measuring faces
- ◆ Ratchet stop
- ◆ Setting standards are included (except 0-25mm)



unit: mm



Code	Range	Type	Accuracy	L	h
340-001-01	0-25mm	A	4µm	57	24
340-002-01	25-50mm	A	4µm	82	32
340-003-01	50-75mm	A	5µm	107	44.5
340-004-01	75-100mm	A	5µm	133	57
340-001-02	0-25mm	B	4µm	57	24
340-002-02	25-50mm	B	4µm	82	32
340-003-02	50-75mm	B	5µm	107	44.5
340-004-02	75-100mm	B	5µm	133	57