

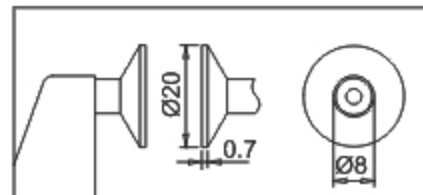
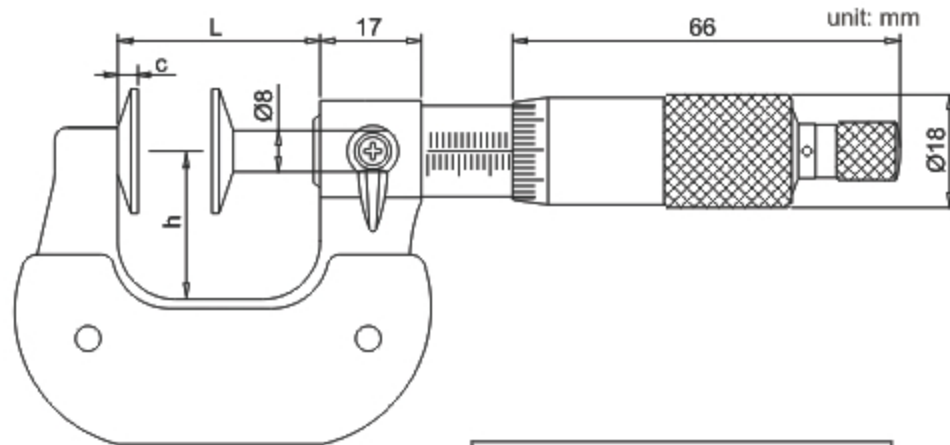
DISK MICROMETER

SERIES 342



342-002-02

- ◆ Measure root tangent length of gear
- ◆ Graduation 0.01mm
- ◆ Ratchet stop
- ◆ Supplied with setting standards (except 0-25mm)



Code	Range	Accuracy	L	h	c
342-001-02	0-25mm	4 μ m	34	24	3.3
342-002-02	25-50mm	4 μ m	59	32	3.3
342-003-02	50-75mm	5 μ m	85	45	3.3
342-004-02	75-100mm	5 μ m	110	57	3.3