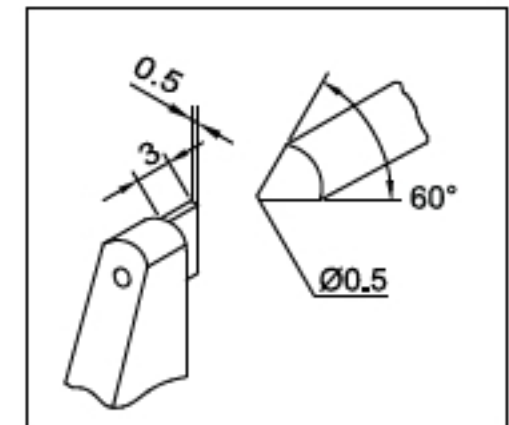
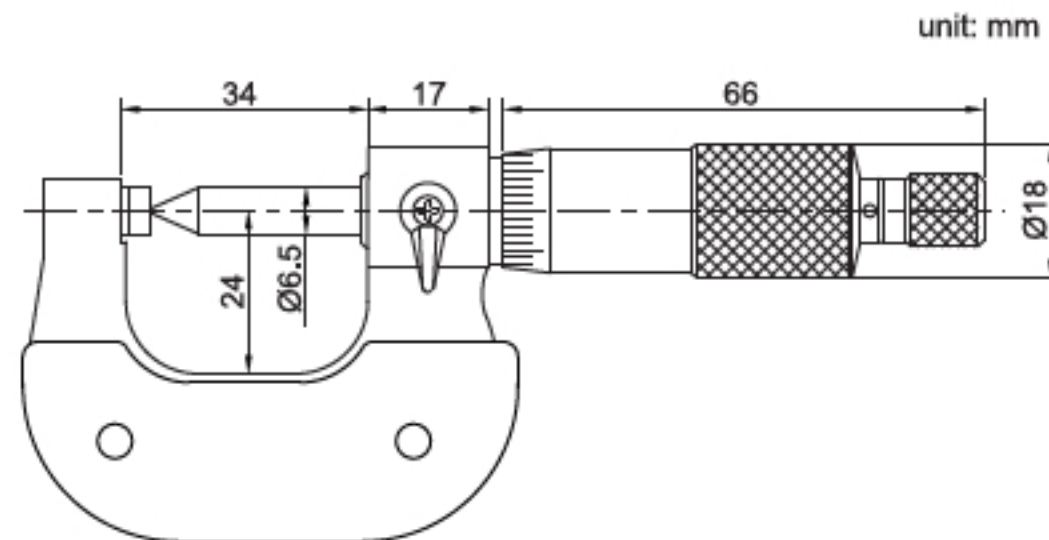


**346**

## CRIMP HEIGHT MICROMETER

- ◆ Measure the height of crimp contact
- ◆ Graduation 0.01mm
- ◆ Ratchet stop



Code	Range	Accuracy
------	-------	----------

346-001-01	0-25mm	4 $\mu$ m
------------	--------	-----------