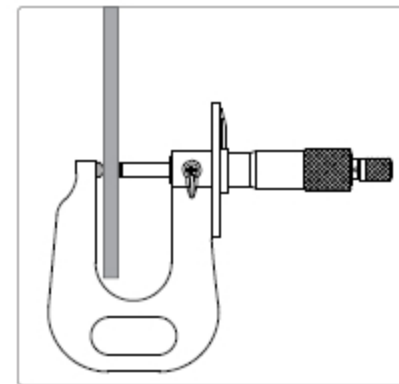
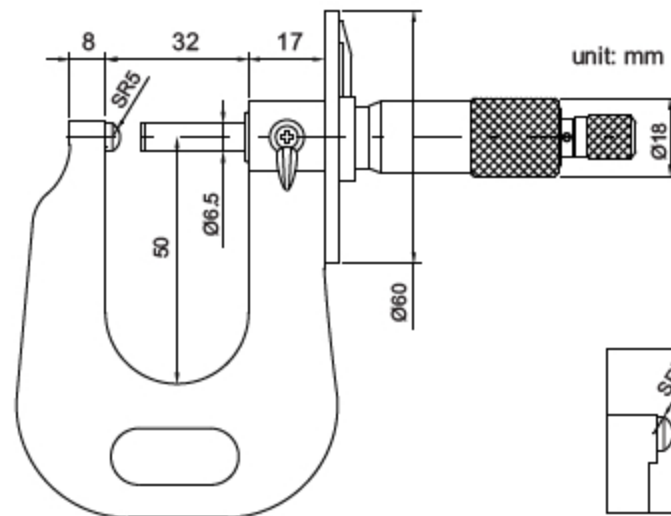


- ◆ Measure thickness of sheet metal, paper, plastic and rubber parts
- ◆ Graduation 0.01mm
- ◆ Ratchet stop
- ◆ Carbide measuring faces



Code	Range	Accuracy
347-001-01	0-25mm	4 μ m