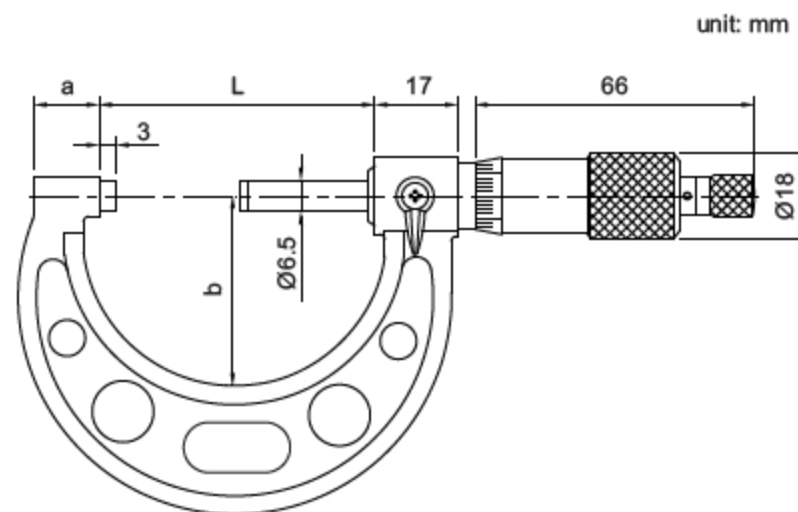


**379****LONG SPINDLE OUTSIDE MICROMETER**

- ◆ Graduation 0.01mm
- ◆ Ratchet stop
- ◆ Carbide measuring faces



Code	Range	Accuracy	L	a	b
379-001-01	0-25mm	4 $\mu$ m	57	14	38