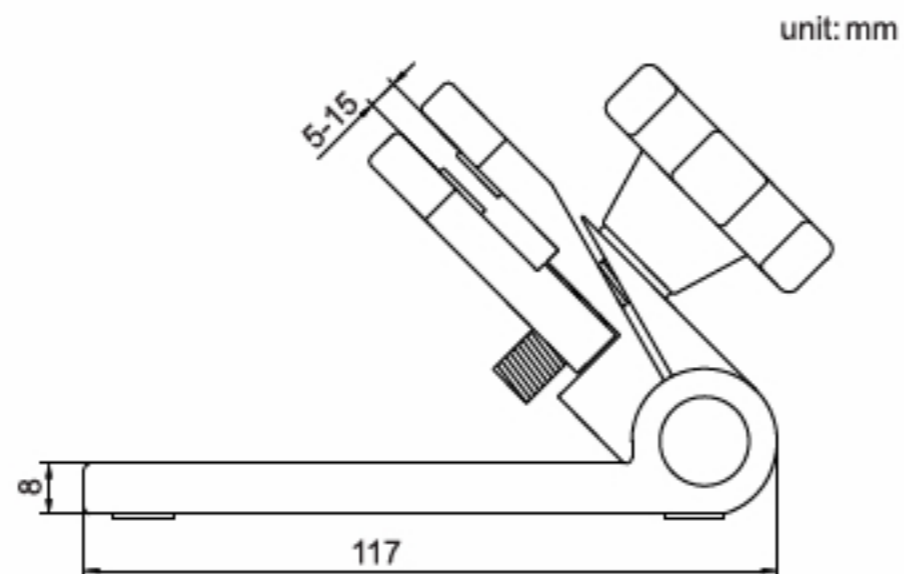




- ◆ For micrometers which measuring range is less than 100mm



**Code**

**383-000-00**