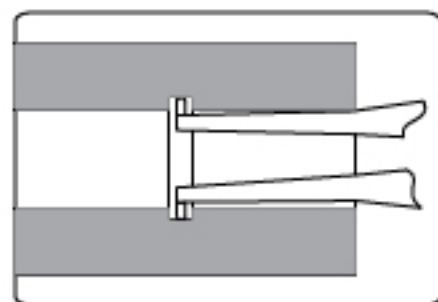
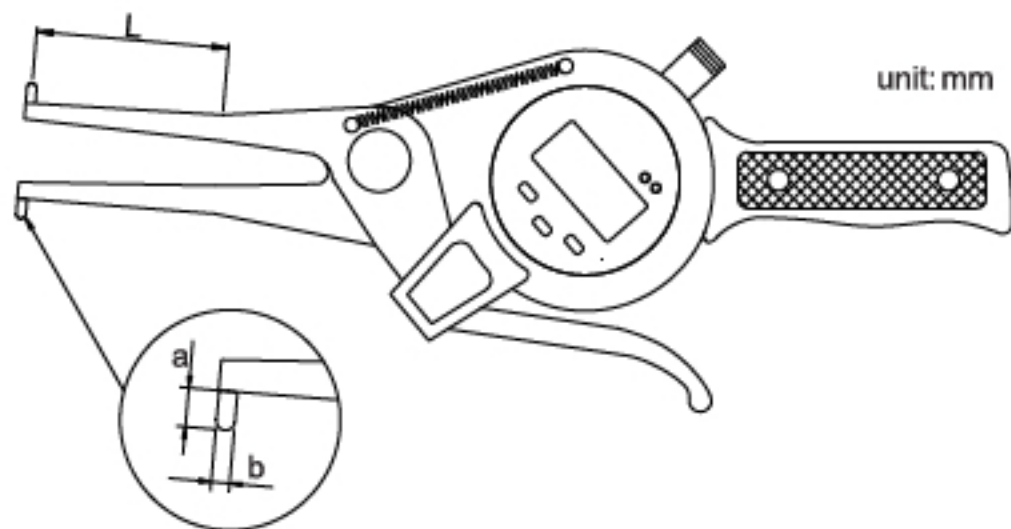


DIGITAL INTERNAL CALIPER GAUGE

SERIES 410



410-035-11



- ◆ Measure the internal dimension
- ◆ Resolution: 0.01mm/0.0005"

Code	Range	Accuracy	a	b	L
410-035-11	15-35mm	±0.04mm	3	Ø3	50
410-035-11L	15-35mm	±0.04mm	3	Ø3	200
410-055-11	35-55mm	±0.04mm	6	Ø3	80
410-055-11L	35-55mm	±0.04mm	6	Ø3	250
410-075-11	55-75mm	±0.04mm	8	Ø3	90
410-075-11L	55-75mm	±0.04mm	8	Ø3	250
410-095-11	75-95mm	±0.04mm	8	Ø3	100
410-095-11L	75-95mm	±0.04mm	8	Ø3	250
410-115-11	95-115mm	±0.04mm	10	Ø3.2	120
410-115-11L	95-115mm	±0.04mm	10	Ø3.2	250
410-135-11	115-135mm	±0.04mm	10	Ø3.2	120
410-135-11L	115-135mm	±0.04mm	10	Ø3.2	250

NEW

NEW

NEW