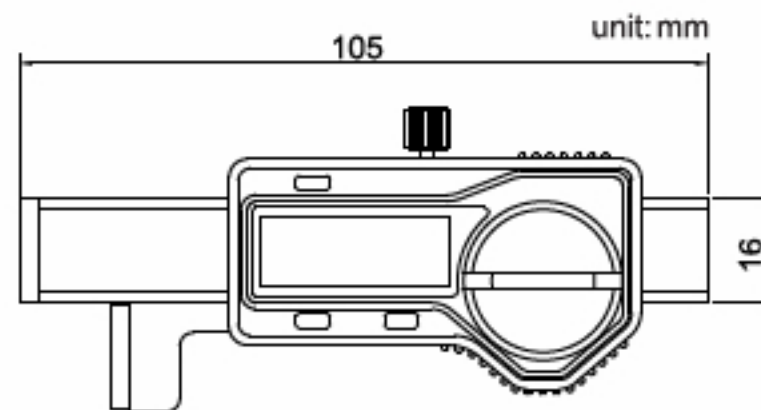
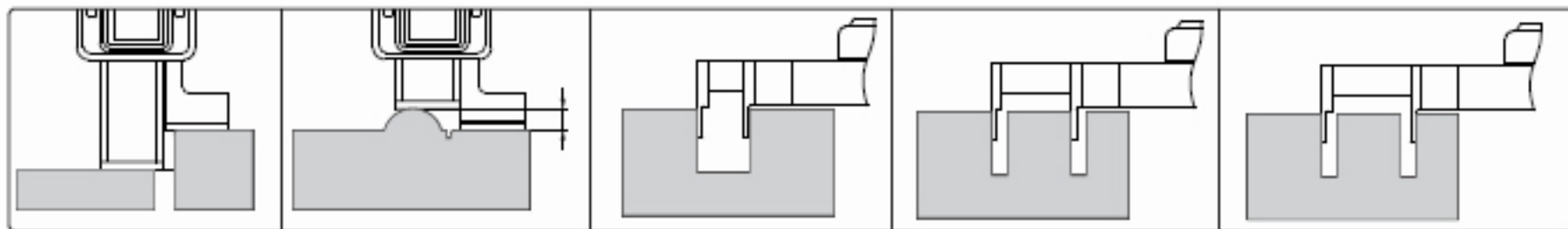
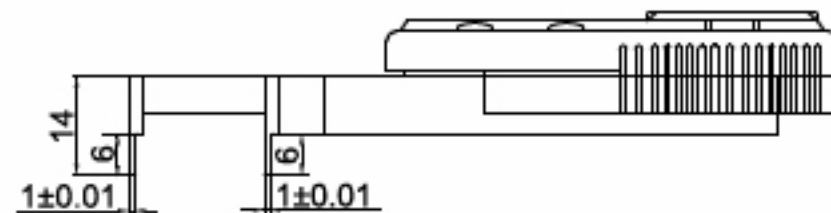


437**STEP AND GAP GAUGE**

- ◆ Measure step height and gap width
- ◆ Resolution: 0.01mm/0.0005"
- ◆ Buttons: on/off, zero, mm/inch
- ◆ Automatic power on/off
- ◆ Data output
- ◆ Made of stainless steel
- ◆ Supplied with zero setting block



zero setting block

**Code****Range****Accuracy****437-001-11**

0-12.7mm/0-0.5"

±0.03mm