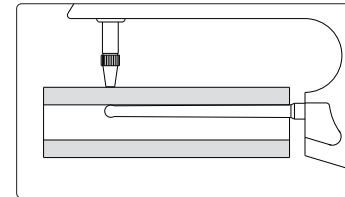
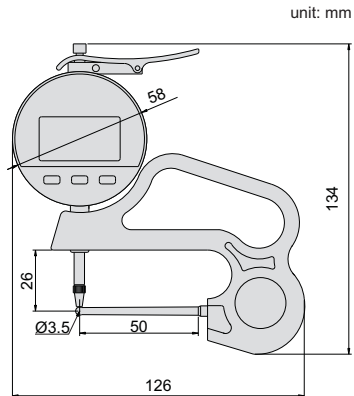




- ◆ Buttons: on/off, zero, mm/inch
- ◆ Automatic power off
- ◆ Data output



Code	Range	Resolution	Accuracy
463-010-11	0-10mm/0-0.4"	0.01mm/0.0005"	±0.02mm