

SERIES 512

STEEL GAUGE BLOCK SET

- ◆ Made of alloy steel
- ◆ Meet ASME B89.1.9
- ◆ With calibration certificate
- ◆ Code explanation

512-□□□-□XI

- 0: grade 0
- 1: grade 1
- 2: grade 2

Example:

Code	Quantity	Grade
512-036-00I	36	0
512-036-01I	36	1
512-036-02I	36	2

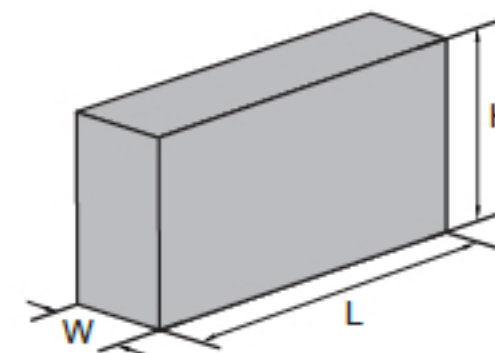
Code	Blocks per set	Block allocation		
		Size (inch)	Step (inch)	Quantity
512-036-0XI	36	0.05		1
		0.1001-0.1009	0.0001	9
		0.101-0.109	0.001	9
		0.11-0.19	0.01	9
		0.1-0.5	0.1	5
		1		1
		2		1
		4		1



512-081-00I

Size:

Size (L)	W	H
$0.02 \leq 0.394"$	0.354"	1.181"
$L > 0.394"$	0.354"	1.378"



Code	Blocks per set	Block allocation		
		Size (inch)	Step (inch)	Quantity
512-081-0XI	81	0.1001-0.1009	0.0001	9
		0.101-0.149	0.001	49
		0.05-0.95	0.05	19
		1-4	1	4