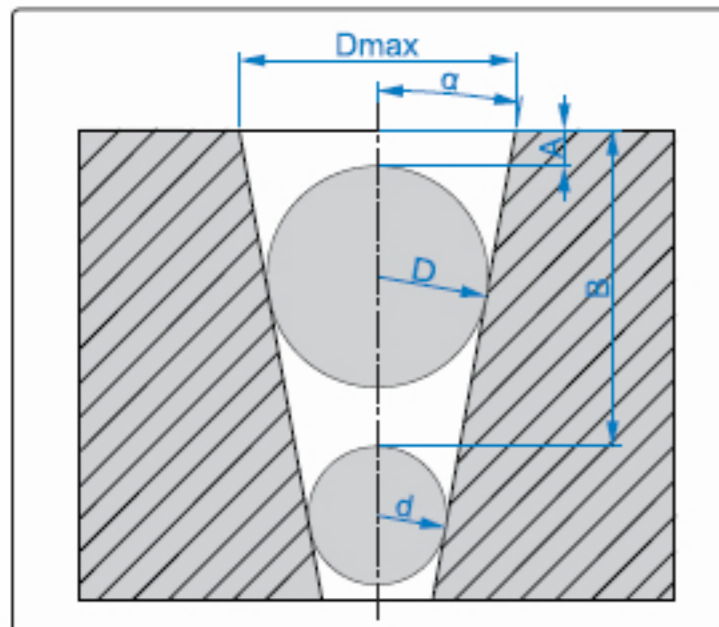


- ◆ To measure diameter and angle of taper holes
- ◆ Each size has a pair of steel ball
- ◆ Material: tool steel
- ◆ Hardness: HRC63
- ◆ Diameter accuracy: $\pm 2\mu\text{m}$
- ◆ Roundness: $0.6\mu\text{m}$

Calculate angle (α) and diameter (D_{max}) according to the ball diameter (D, d), height (A) and depth (B)



Code	Steel balls per set	diameter(mm)
526-025-01	25 pairs	1, 2, 3, 4, 5, 6, 7, 8, 9, 10, 11, 12, 13, 14, 15, 16, 17, 18, 19, 20, 21, 22, 23, 24, 25