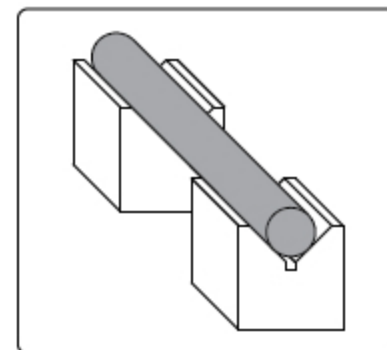
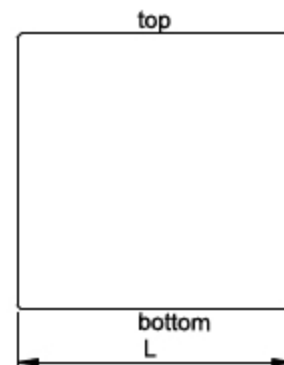
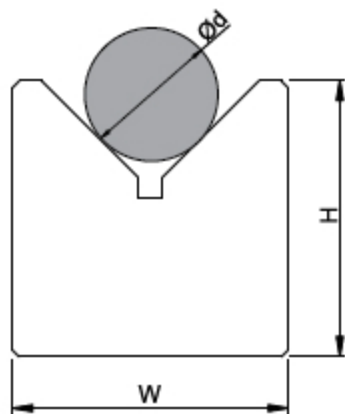
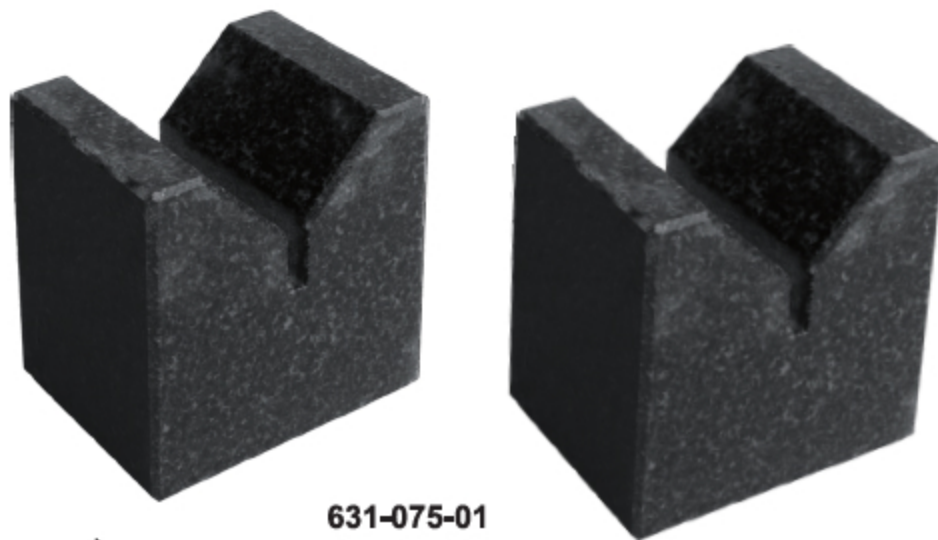


SERIES 631

GRANITE V-BLOCK SET

- ◆ Supplied a pair, for holding long cylindrical workpiece



Code	Size(LxWxH)	For shaft range(Ød)	Parallelism between top and bottom, left and right	Height difference between a pair
631-075-01	50x70x70mm	6-75mm	5µm	5µm
631-099-01	50x100x70mm	6-99mm	5µm	5µm