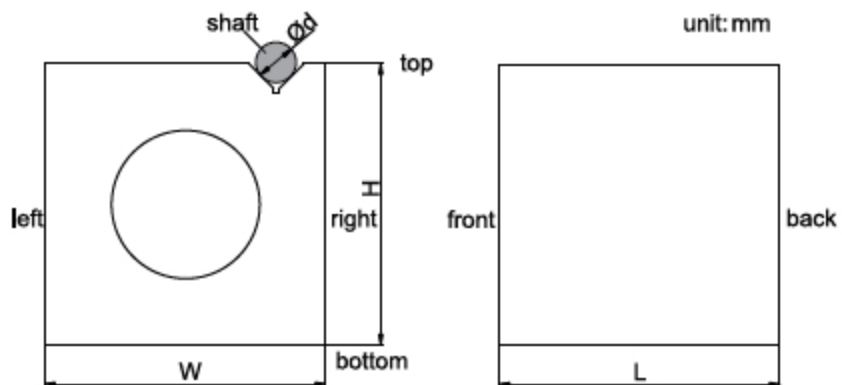
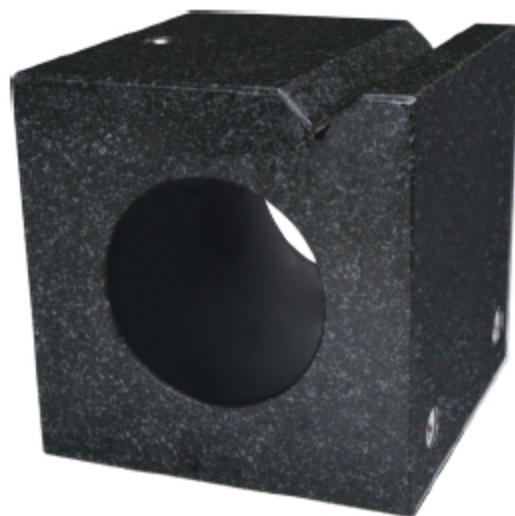


◆ Thread holes: M8



Code	Size(LxWxH)	Range of shafts (∅d)	Parallelism or squareness between top, bottom, left, right and back sides	Parallelism of V groove to left, right, top and bottom sides	Squareness of V groove to back side
645-006-01	160x160x160mm	6-42mm	8μm	8μm	8μm