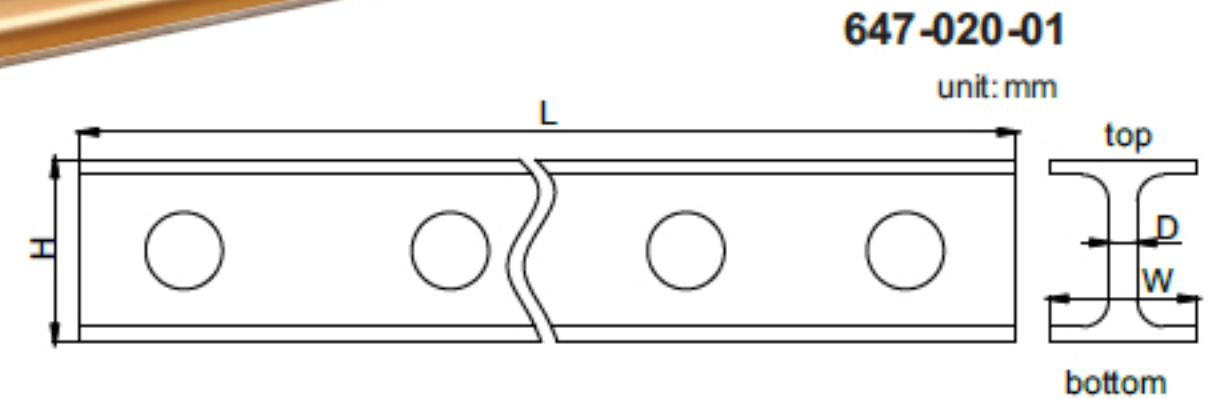
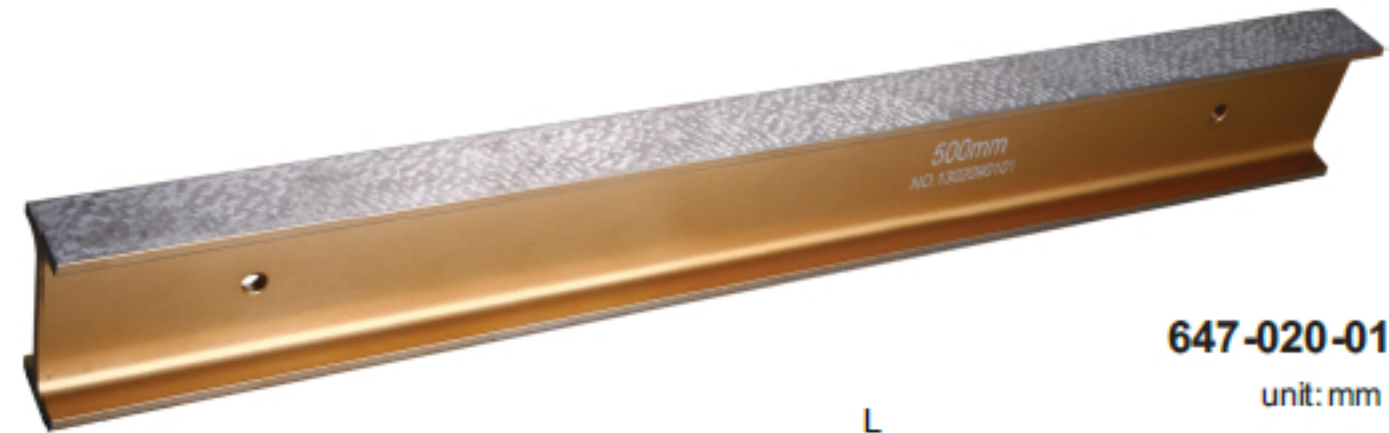


## SERIES 647

## MAGNALIUM STRAIGHT EDGE

- ◆ Made of magnalium, light weight, non-deform, no rusty



647-020-01

unit: mm

Code	Length(L)	Flatness of top and bottom	Parallelism between top and bottom	H	W	D
647-020-01	500mm	3 $\mu$ m	4 $\mu$ m	60	30	5
647-040-01	1000mm	5 $\mu$ m	8 $\mu$ m	60	30	5
647-060-01	1500mm	15 $\mu$ m	22 $\mu$ m	100	40	7
647-080-01	2000mm	18 $\mu$ m	27 $\mu$ m	100	40	7
<b>NEW</b> 647-100-01	2500mm	22 $\mu$ m	33 $\mu$ m	100	40	7
<b>NEW</b> 647-120-01	3000mm	48 $\mu$ m	72 $\mu$ m	150	80	8
<b>NEW</b> 647-140-01	3500mm	56 $\mu$ m	84 $\mu$ m	150	80	8
<b>NEW</b> 647-160-01	4000mm	64 $\mu$ m	110 $\mu$ m	150	80	10
<b>NEW</b> 647-200-01	5000mm	80 $\mu$ m	130 $\mu$ m	175	80	10
<b>NEW</b> 647-240-01	6000mm	100 $\mu$ m	150 $\mu$ m	175	80	10