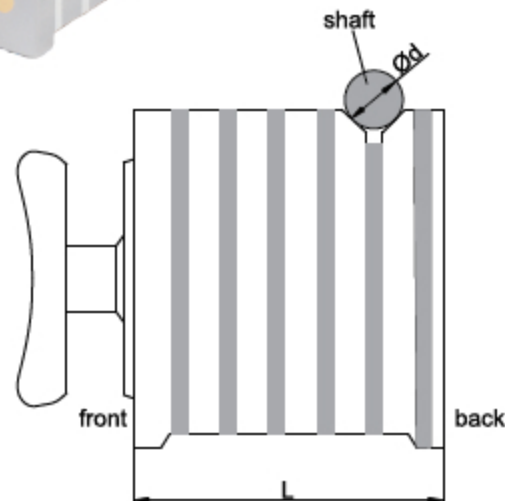
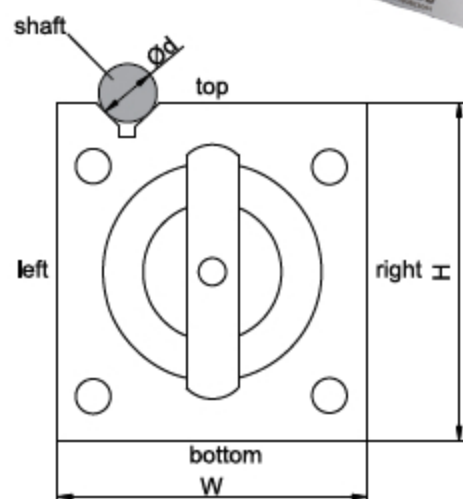




649-004-01



Code	Size(LxWxH)	Magnetic force	Range of shafts ( $\varnothing d$ )	Parallelism or squareness between top, bottom, left, right and back sides	Parallelism or squareness of both V grooves to top, bottom, left, right and back sides
649-004-01	100x100x100mm	30kgf	6-36mm	10 $\mu$ m	10 $\mu$ m
649-006-01	150x150x150mm	40kgf	6-44mm	15 $\mu$ m	15 $\mu$ m