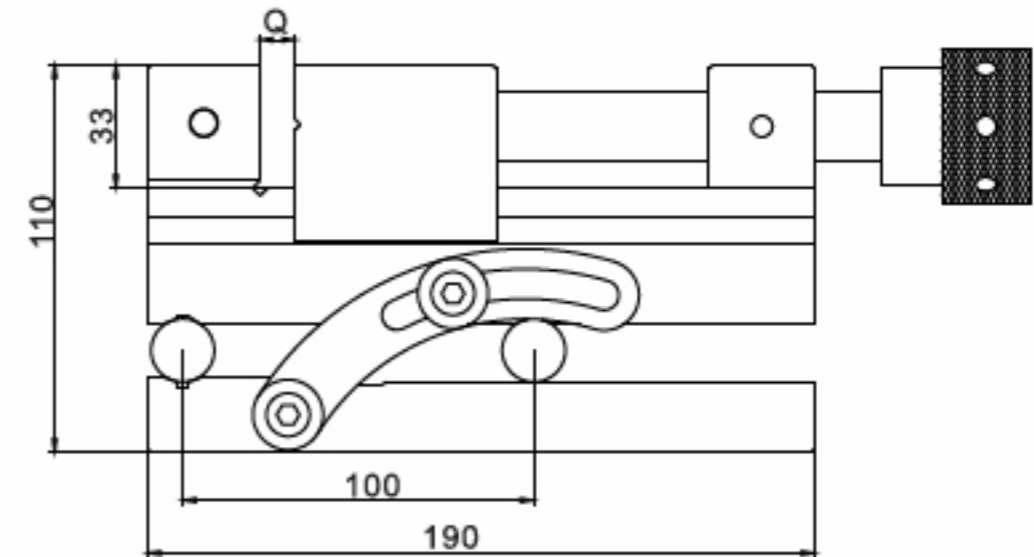
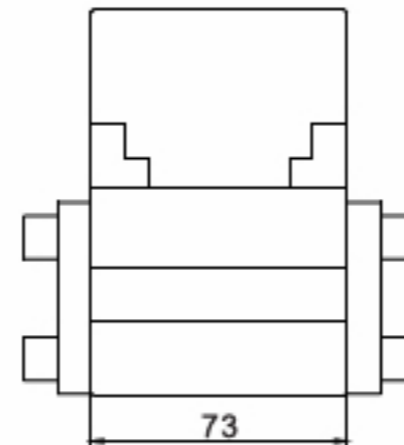


- ◆ Parallelism: 3 $\mu$ m/100mm
- ◆ Squareness: 5 $\mu$ m/100mm
- ◆ Accuracy of angle:  $\pm 20''$
- ◆ Made of SKS tool steel, subzero treatment
- ◆ Hardness HRC58-60



Code	Jaw opening (Q)	Jaw width	Adjustable angle
657-090-01	0-90mm	73mm	0-45°