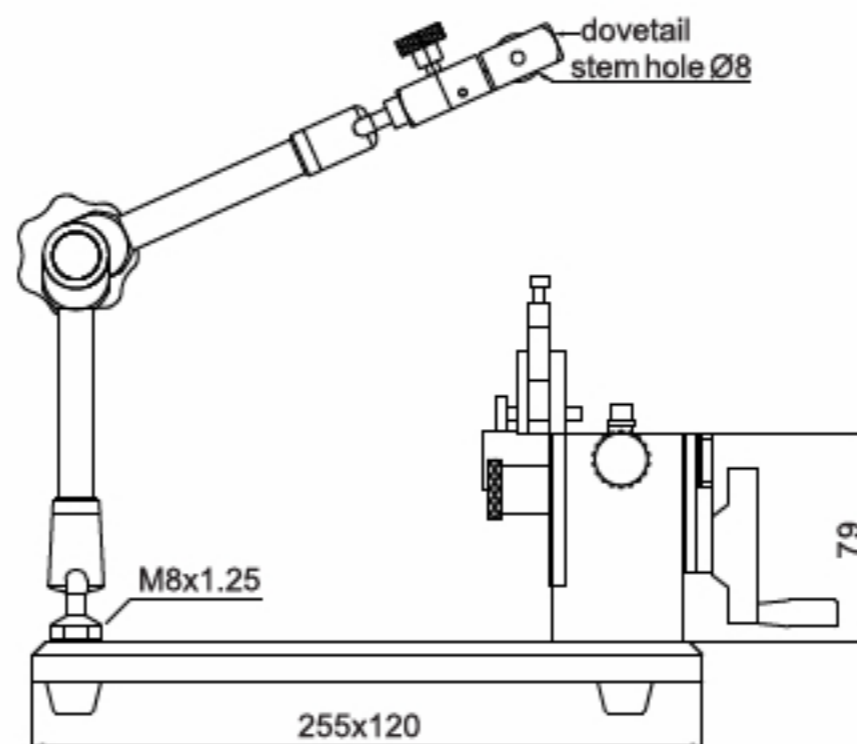
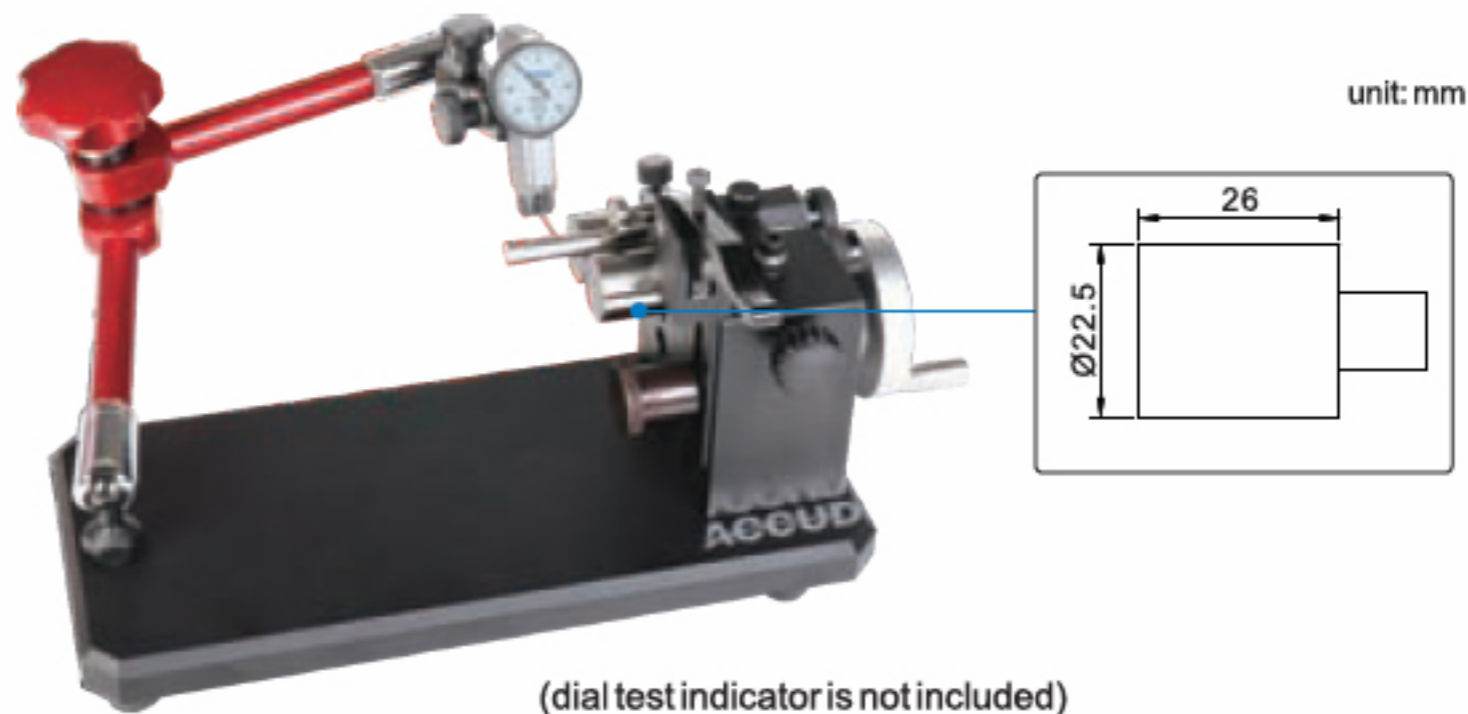


- ◆ Optional accessories: dial test indicator (code: 261-002-01 or 261-002-02) and mini magnetic stand (code: 286-040-01)



Code	Applicable diameter	Accuracy
660-001-01	Ø3-35mm	0.002mm