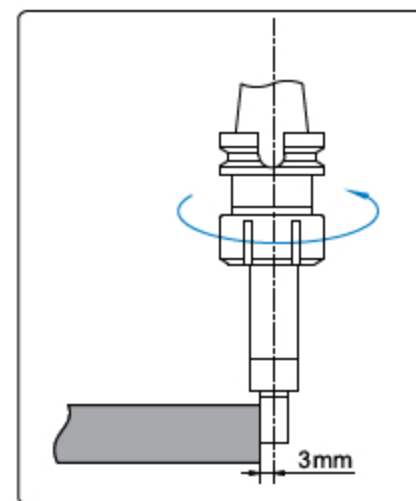
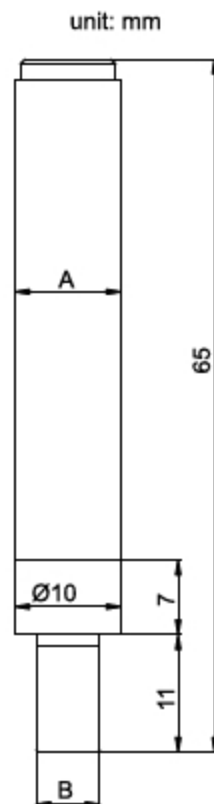


- ◆ Hardened shank and contact point
- ◆ Suitable for machine speed 400-600rpm



Code	Contact surface (B)	Shank(A)	Accuracy
693-010-01	Ø6mm	Ø10mm	8µm