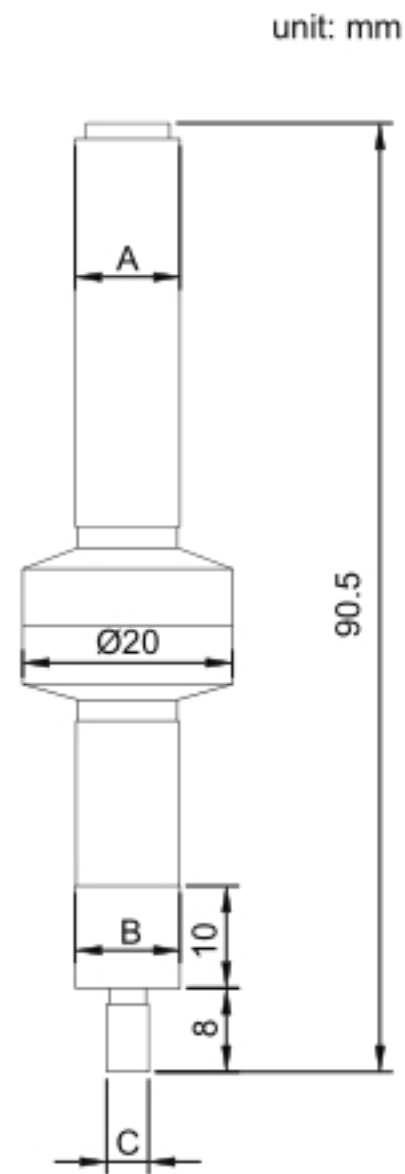
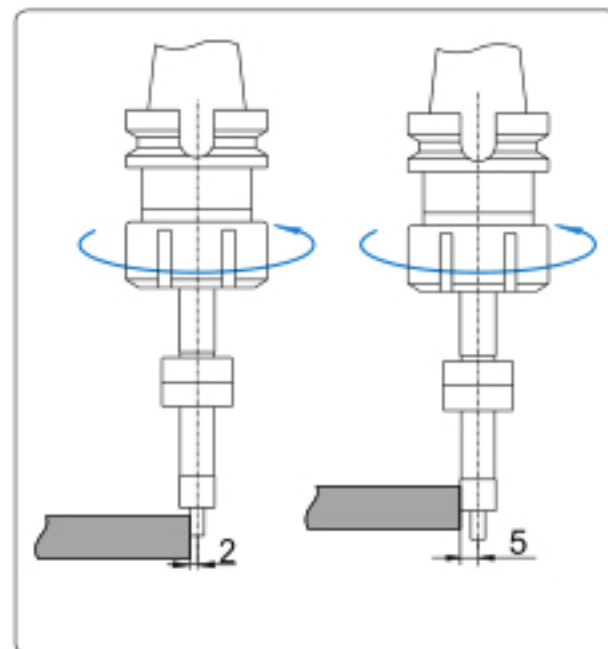


- ◆ Hardened shank and contact point



Code	Shank (A)	Contact point(B)	Contact point(C)	Accuracy
694-020-01	Ø10mm	Ø10mm	Ø4mm	5µm