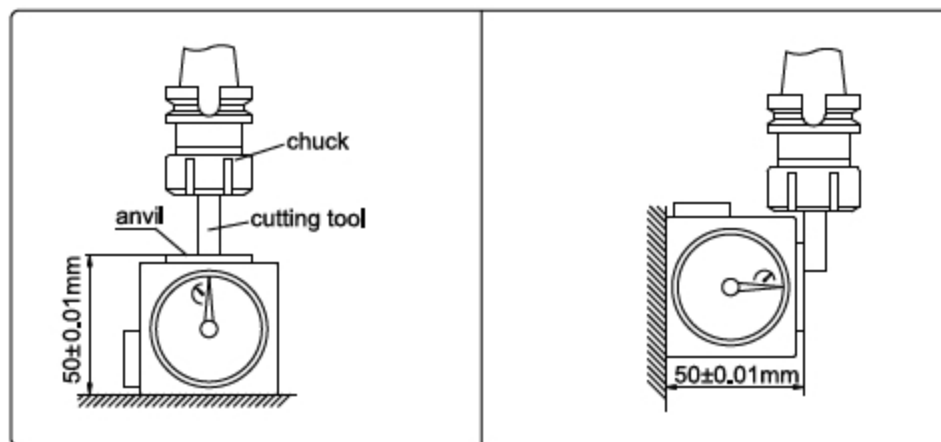


- ◆ Magnetic base



Code

695-050-01

Accuracy

 $\pm 10 \mu\text{m}$