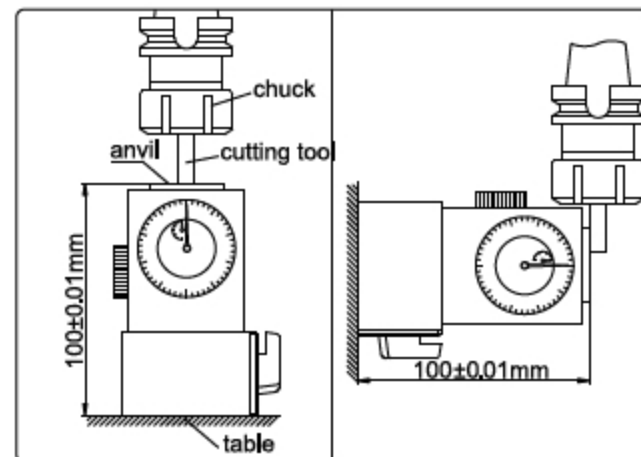
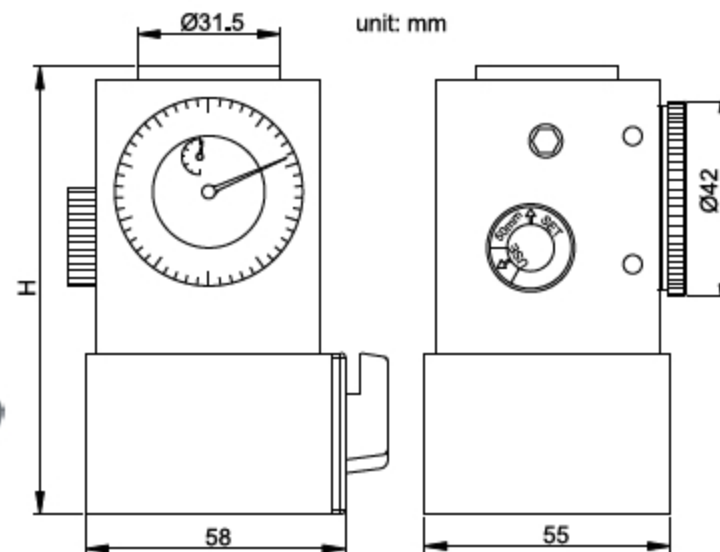


- ◆ Magnetic base with on-off switch



Code	Height (H)	Accuracy	Force
696-100-01	100mm	±10μm	9N(at 50mm)