

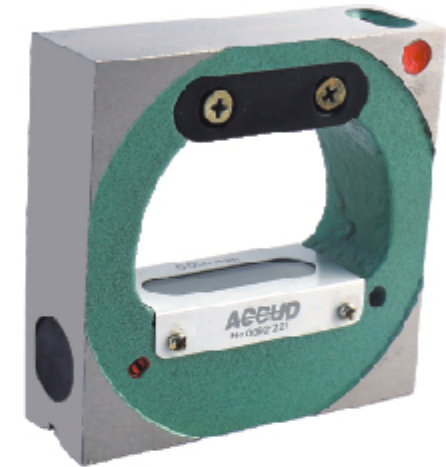
SERIES 711

FRAME LEVEL

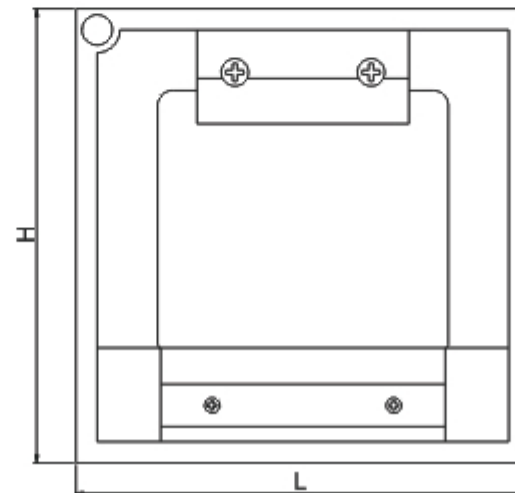
- ◆ For using setting machined surfaces precisely horizontal and vertical
- ◆ Sensibility: 0.02mm/m per division
- ◆ With two vee and two flat reference faces



711-006-02



711-004-02



Code	Size(LxHxW)
711-004-02	100x100x32mm
711-006-02	150x150x35mm
711-008-02	200x200x42mm
711-012-02	300x300x42mm