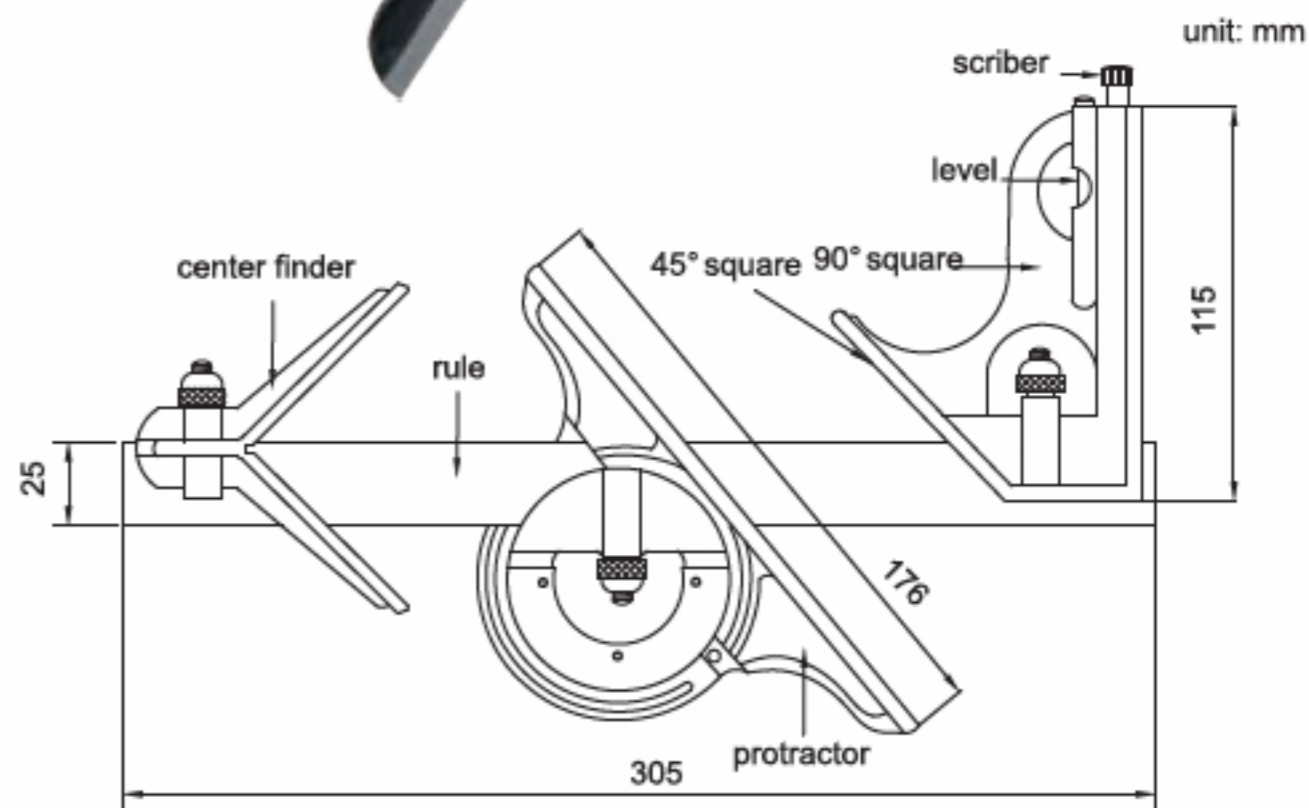
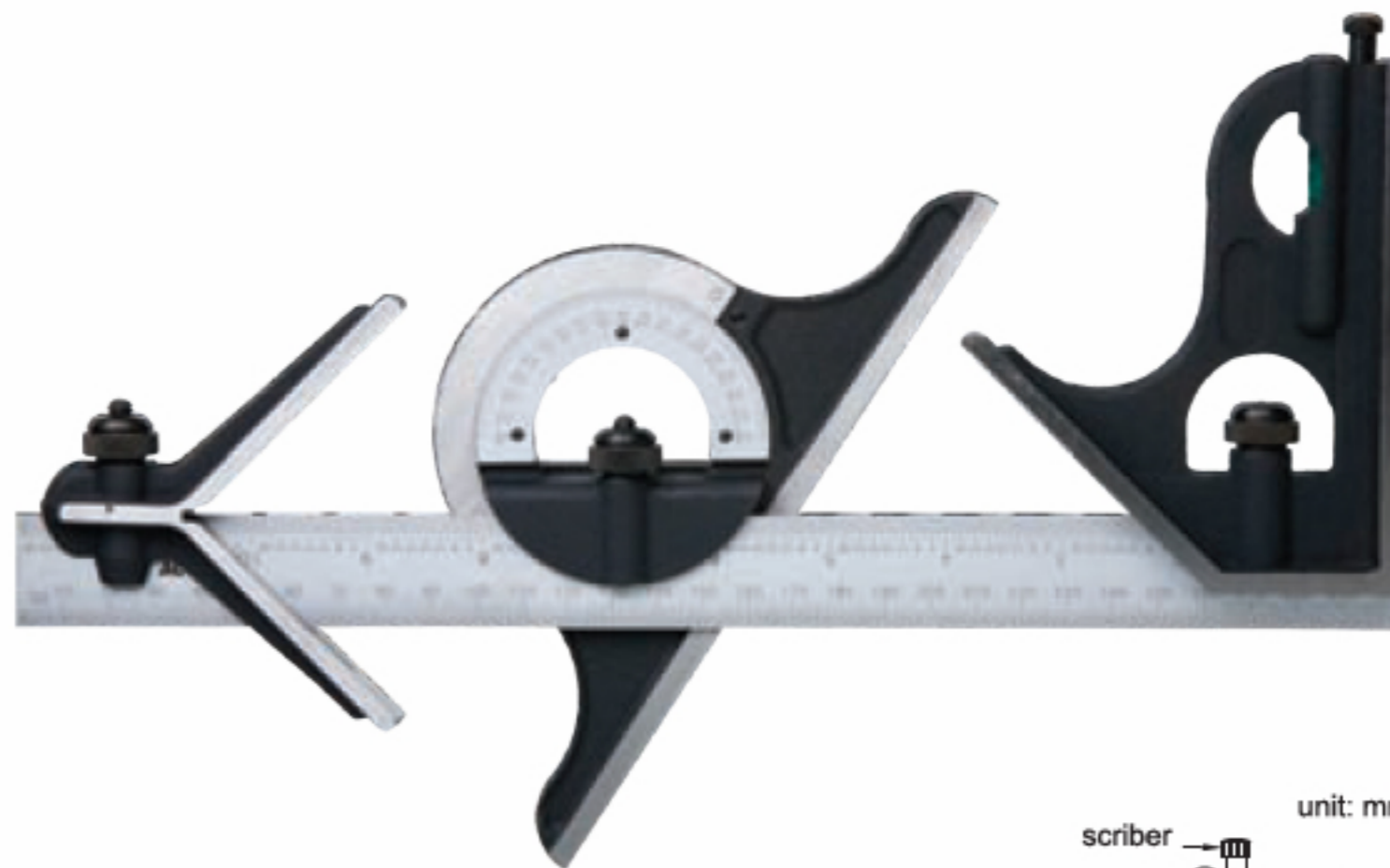


- ◆ Protractor:
Used to set an angle or angle measurement,
measuring range: 0-180°, accuracy: $\pm 7'$
- ◆ Square:
Used as 90° square or 45° square
accuracy of 90° square: $\pm 8'$,
accuracy of 45° square: $\pm 10'$
- ◆ Rule:
Used as rule, measuring range: 300mm/12"
front side graduation: 0.5mm and 1/32"
reverse side graduation: 1mm and 1/64"
- ◆ Center finder:
Used to find the cylinder center,
accuracy: $\pm 0.15\text{mm}$



Code

817-180-02