

◆ Button function:

SET: preset the reading and change the measuring direction

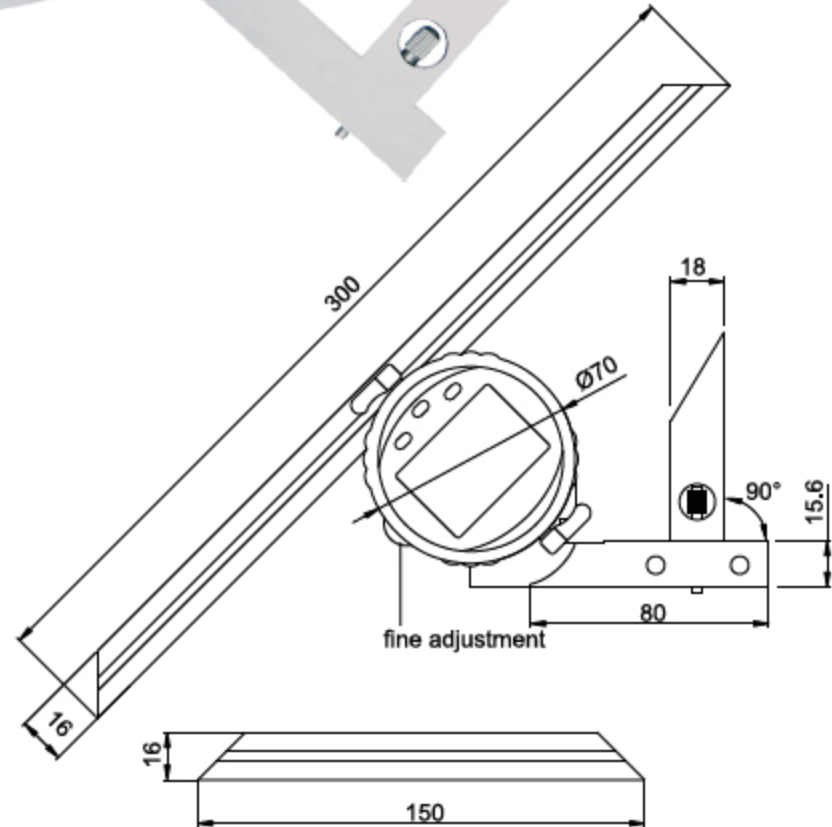
MODE: choose range 90°, 180°, 360°

ZERO/ON/OFF: set zero and power on/off

◆ Data output

◆ With a 150mm blade and a 90° square

◆ Made of stainless steel



Code	Range	Resolution	Accuracy
822-360-01	0-360°	0.1°	±0.5'