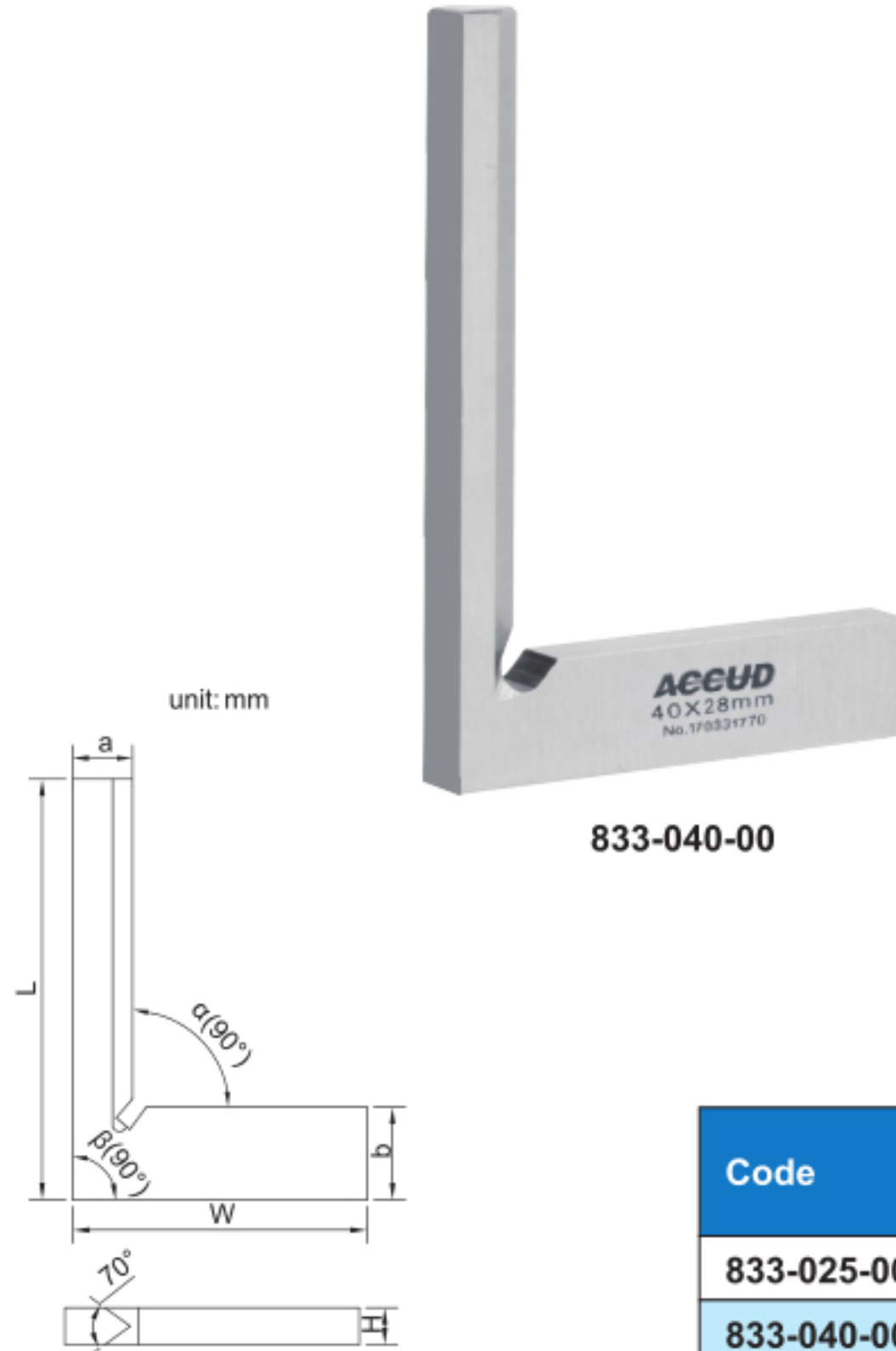


90° TOOL MAKER SQUARE

SERIES 833

- ◆ DIN875 grade 00
- ◆ Beveled edge for inside measurement
- ◆ Made of hardened stainless steel



Code	Size(LxW)	Squareness		a	b	H
		Inside(α)	Outside(β)			
833-025-00	25x20mm	2.2 μ m	2.3 μ m	4	6.5	3.5
833-040-00	40x28mm	2.3 μ m	2.4 μ m	5.5	8.5	3.5