

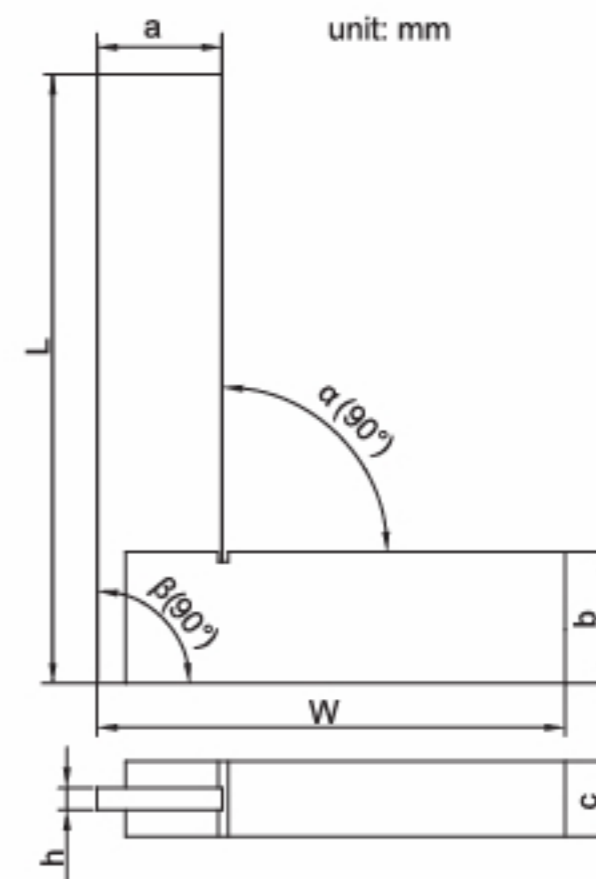
SERIES 843

90° FLAT EDGE SQUARE WITH WIDE BASE

- ◆ DIN875 grade 0
- ◆ Made of hardened stainless steel



843-004-10



Code	Size(LxW)	Squareness(α)	Squareness(β)	a	b	c	h
843-002-10	50x40mm	6 μ m	6 μ m	12	12	10	3
843-003-10	75x50mm	6 μ m	6 μ m	14	14	10	3
843-004-10	100x70mm	7 μ m	7 μ m	18	18	10	3
843-006-10	150x100mm	7 μ m	7 μ m	22	22	12	4
843-008-10	200x130mm	8 μ m	8 μ m	25	25	12	4