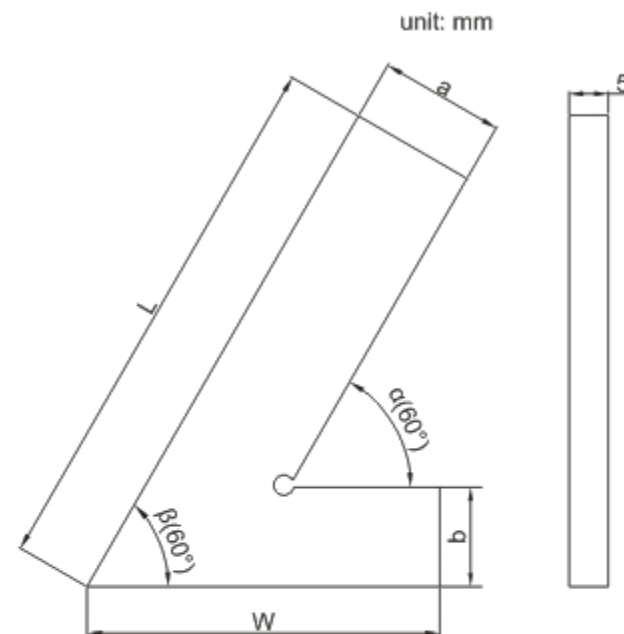


- ◆ Made of hardened stainless steel



847-006-02



Code	Size(LxW)	Accuracy(α)	Accuracy(β)	a	b
847-004-02	100x70mm	28 μ m	30 μ m	20	20
847-005-02	120x80mm	30 μ m	32 μ m	20	20
847-006-02	150x100mm	32 μ m	35 μ m	20	20
847-008-02	200x130mm	37 μ m	40 μ m	25	25