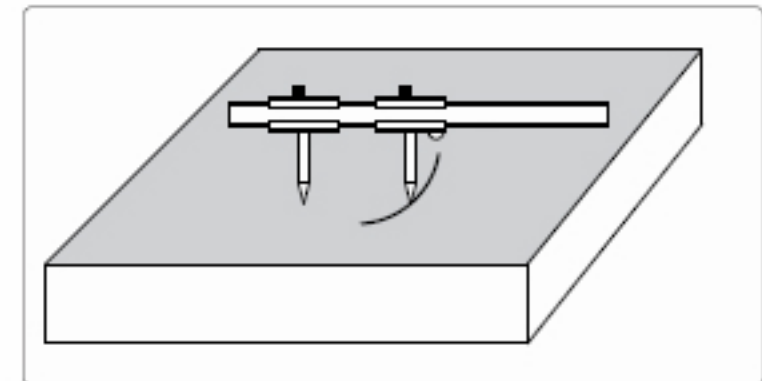
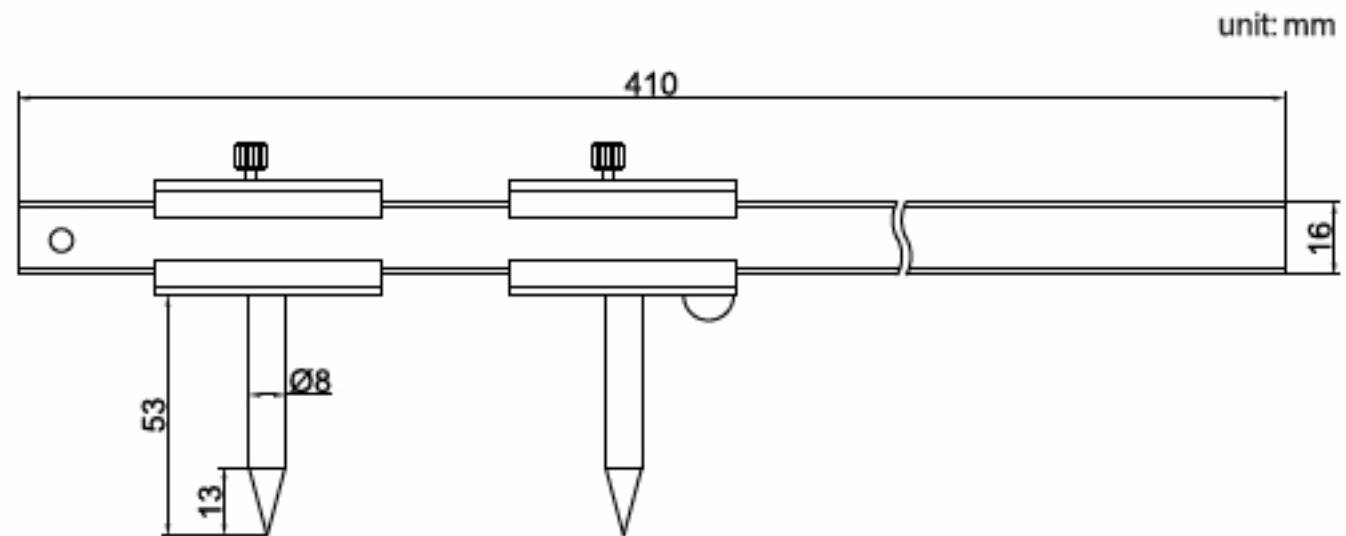


901**SCRIBER CALIPER**

- ◆ Graduation: 0.1mm
- ◆ Made of stainless steel
- ◆ Satin chrome plated reading surface
- ◆ Hardened scribe tips



Code	Range	Accuracy
901-012-11	51-300mm	±0.1mm