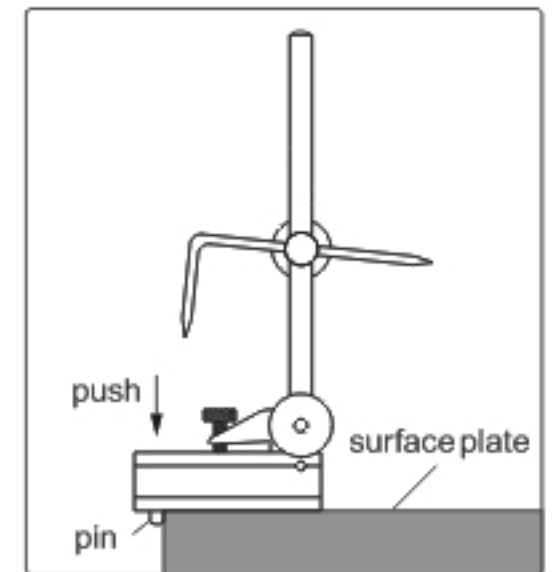
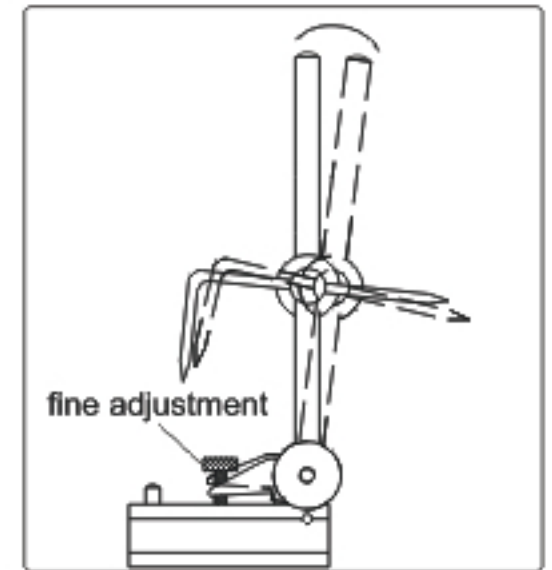
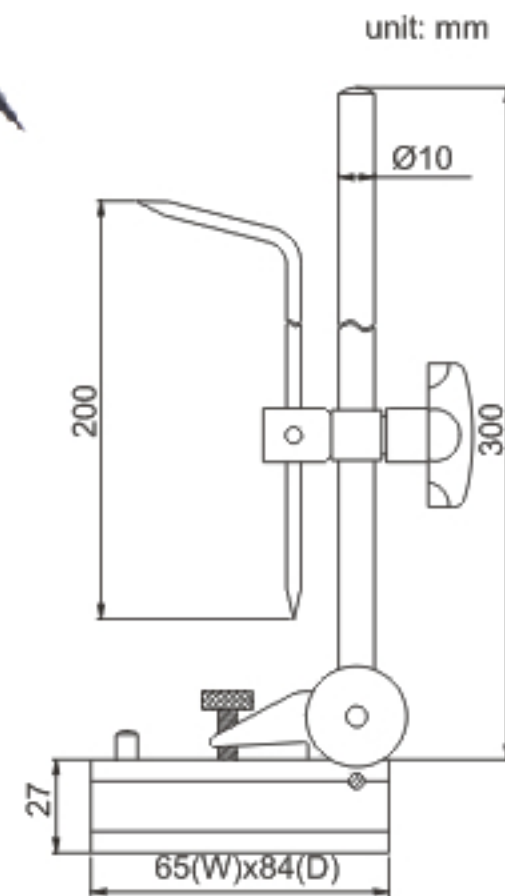


- ◆ Grooved bottom for cylinder
- ◆ Two pins to be set against the edge of surface plate



903-012-11

Code

903-012-11