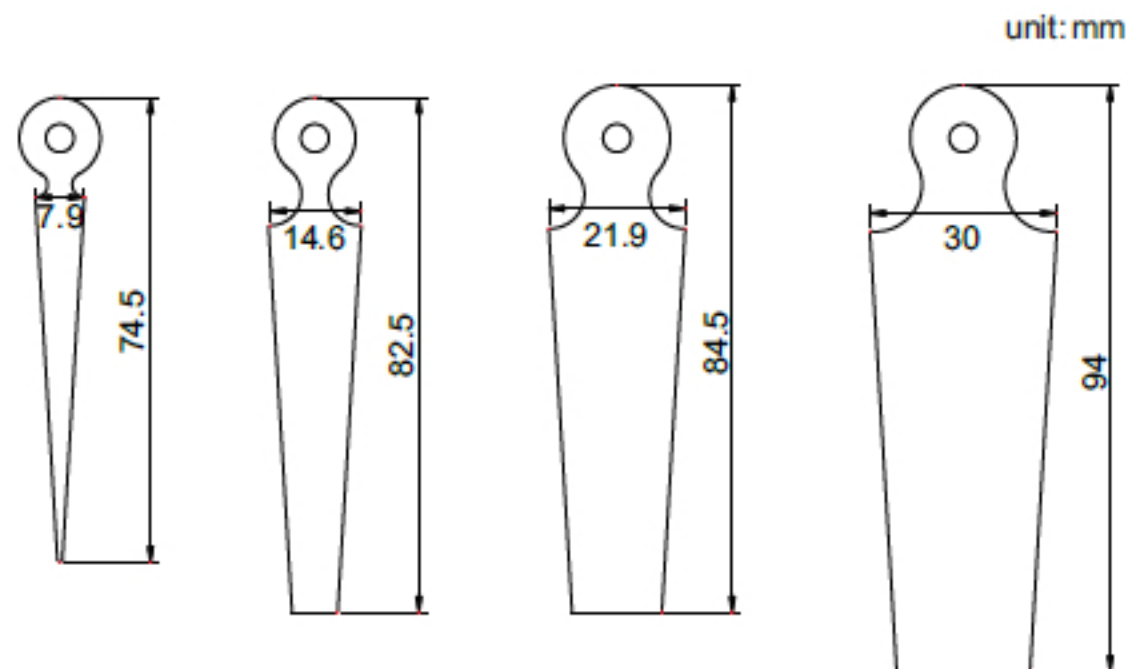


TAPER GAUGE SET

962



- ◆ Include 4 pcs (1-7.5mm, 7.5-14.5mm, 14.5-21.5mm, 21.5-29mm)
- ◆ Measure opening slot width
- ◆ Made of stainless steel



Code	Range	Graduation	Accuracy
962-029-41	1-29mm	0.1mm	±0.05mm