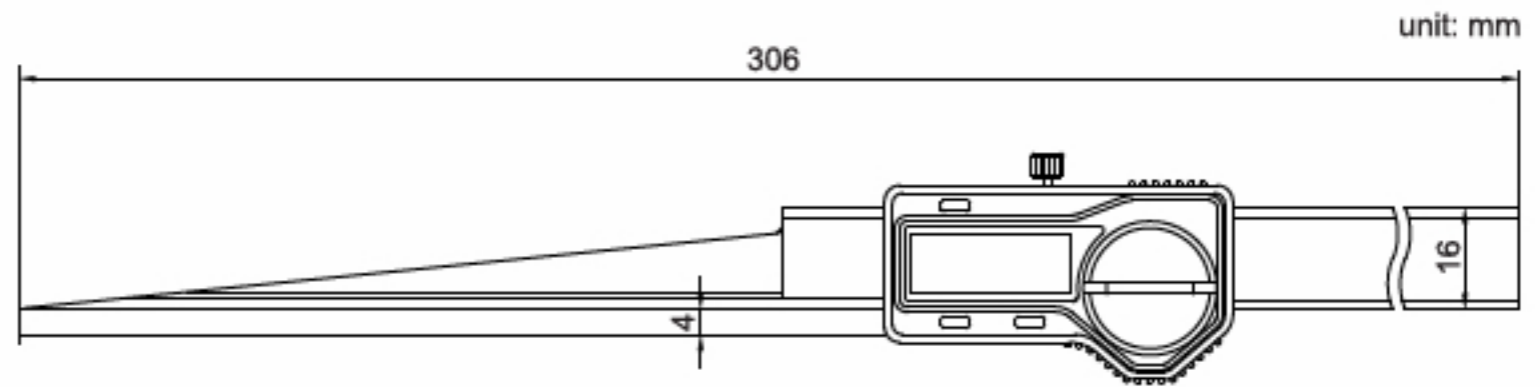
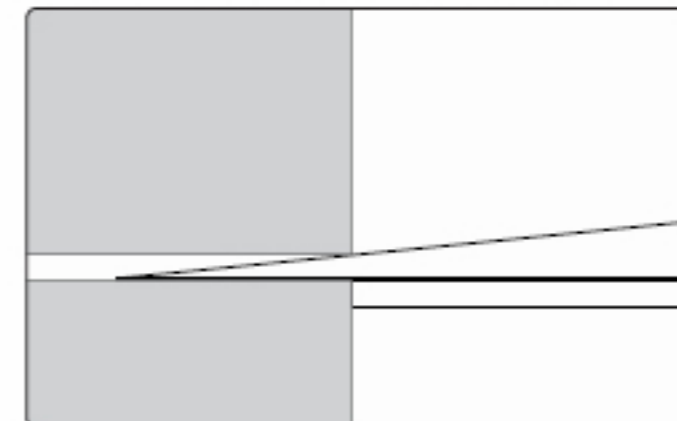


- ◆ Measuring opening, slot width
- ◆ Resolution: 0.01mm/0.0005"
- ◆ Buttons: on/off, zero, mm/inch
- ◆ Data output
- ◆ Automatic power on/off
- ◆ Made of stainless steel



measure slot width(reading/10)



Code	Range	Accuracy
963-010-11	0.2-10mm/0.008-0.394"	±0.03mm