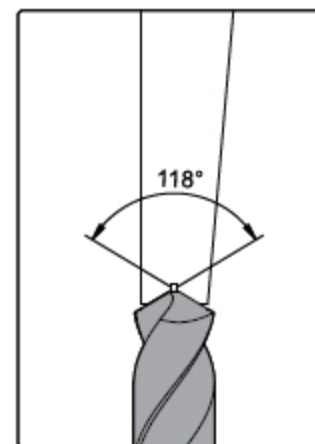
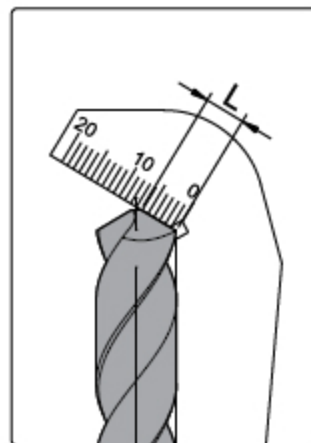
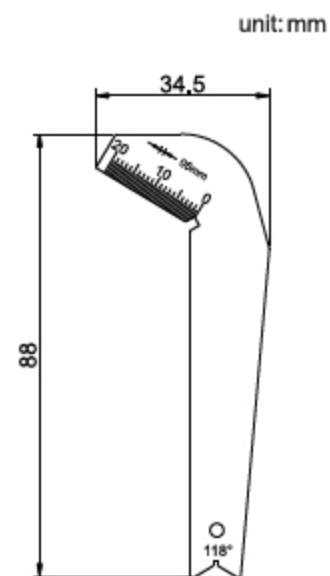


- ◆ For twist drills with 118° angle, to check if the center of tip is concentric with the drill body
- ◆ Made of stainless steel



Code	Accuracy	
	Angle	Length
965-005-01	±0.5°	±0.5mm