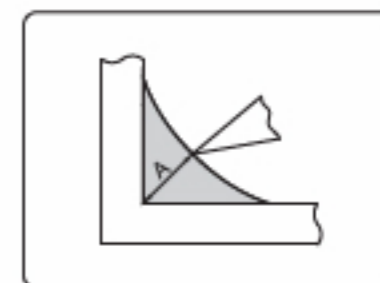
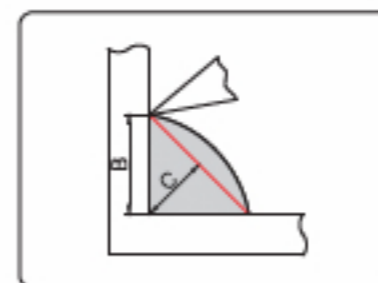
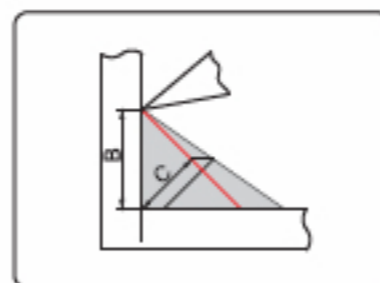
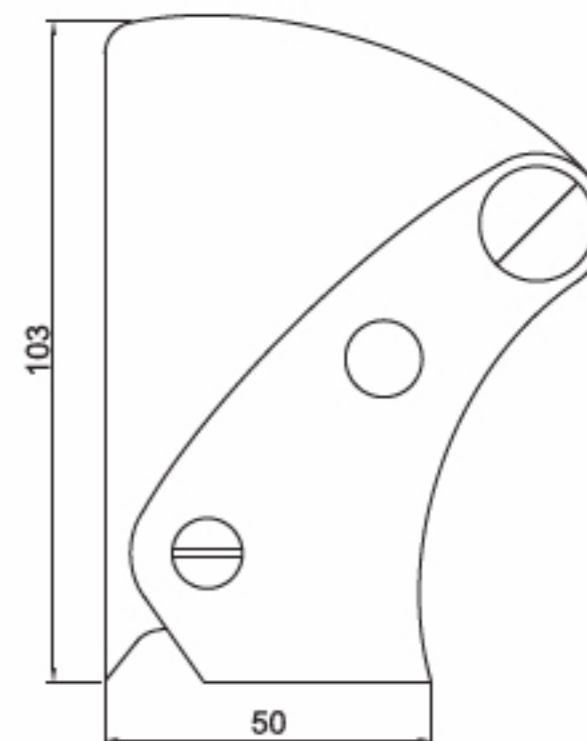


- ◆ Made of stainless steel



unit: mm



Code	Graduation	Accuracy
966-001-01	0.2mm	±0.3mm