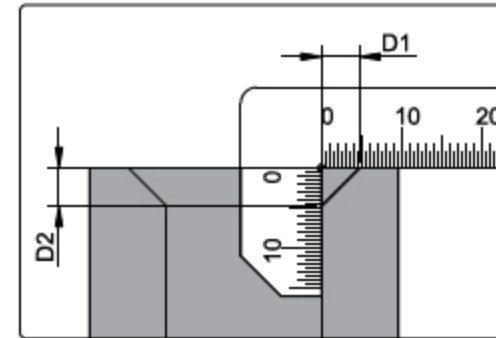
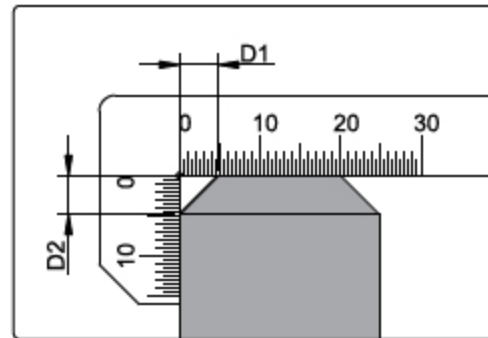
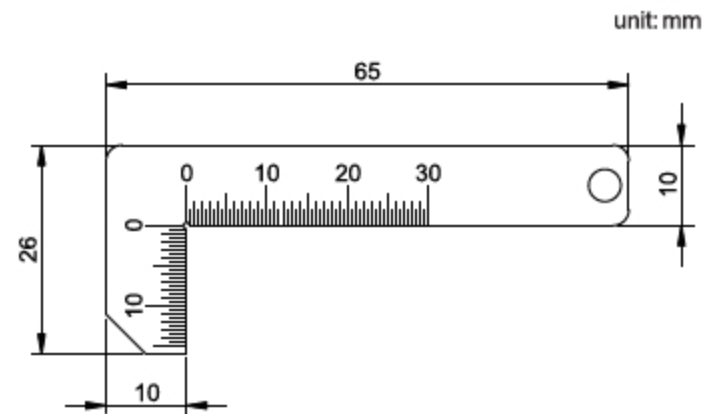
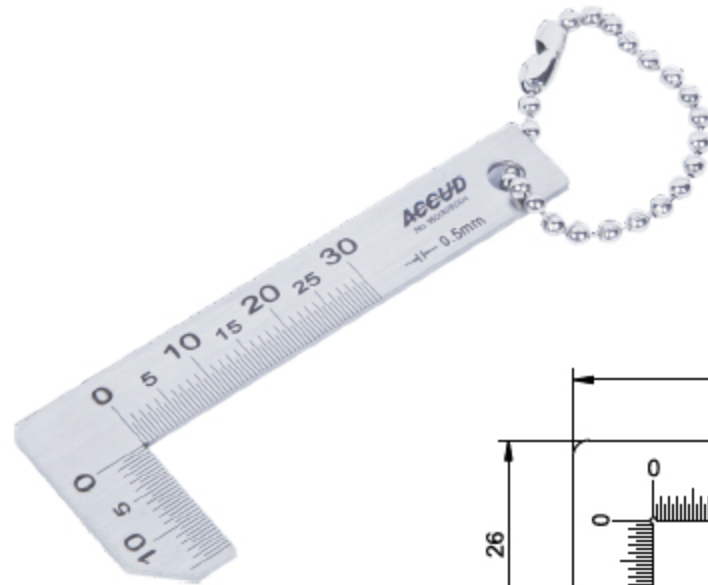


- ◆ To measure internal and external chamfers
- ◆ Made of stainless steel



Code	Graduation	Accuracy
967-001-11	0.5mm	$\pm 0.25\text{mm}$