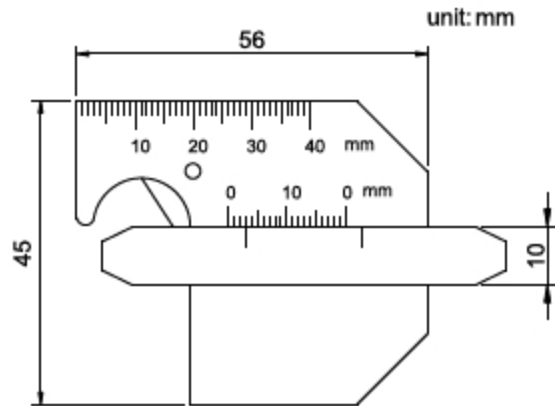




reverse side



front side



- ◆ Made of stainless steel
- ◆ Stain chrome plated surface

Code	Application	Range	Graduation	Accuracy
974-013-01	measure leg length	0-10mm	1mm	±0.1mm
	measure leg height	0-20mm	1mm	±0.5mm
	measure crown height	0-10mm	1mm	±0.1mm
	measure throat size	0-10mm	1mm	±0.1mm
	measure angle	0°-60°	5°	±1°
	measure gap	1-3.5mm	0.5mm	±0.5mm
	measure length	0-40mm	1mm	±0.5mm