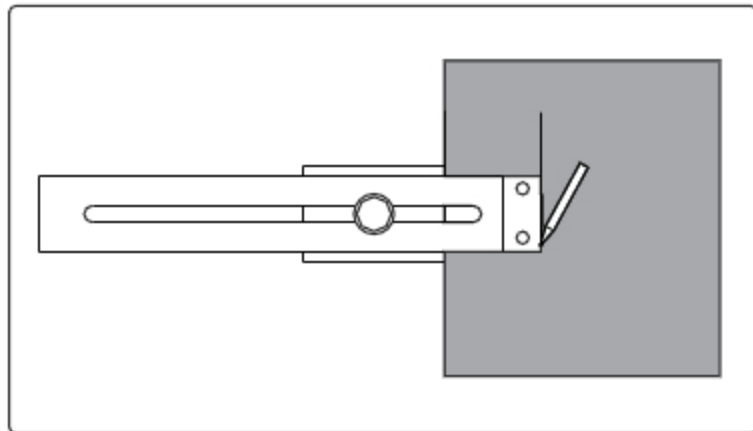
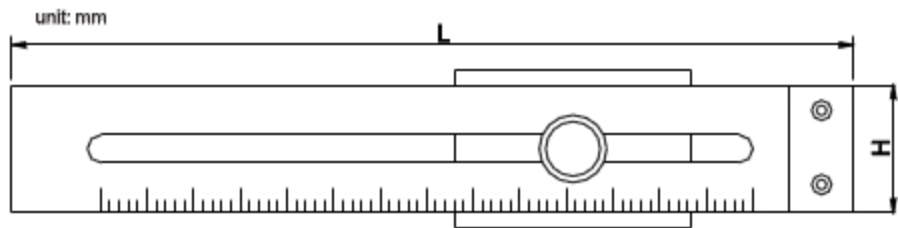




992-008-01



- ◆ Made of stainless steel
- ◆ Stain chrome finish

Code	Range	Graduation	Accuracy	H	L
992-008-01	0 - 200mm	0.1mm	±0.1mm	40mm	250mm
992-010-01	0 - 250mm	0.1mm	±0.1mm	40mm	300mm
992-012-01	0 - 300mm	0.1mm	±0.1mm	40mm	350mm