

SERIES 999

MINI DIGITAL HEIGHT GAGES

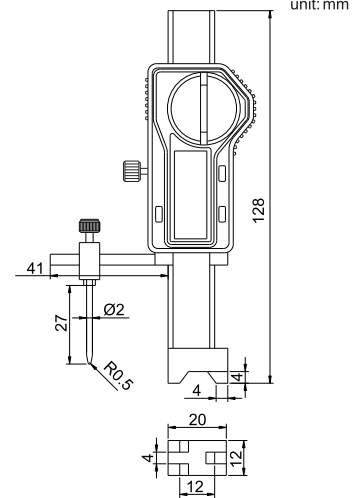
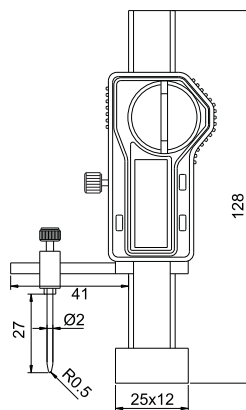
- ◆ Measure height difference of two surfaces (999-020-12 suitable for surfaces with barrier, such as screw)
- ◆ Resolution: 0.01mm/0.0005"
- ◆ Buttons: on/off, zero, mm/inch
- ◆ Data output
- ◆ Automatic power off
- ◆ Made of stainless steel



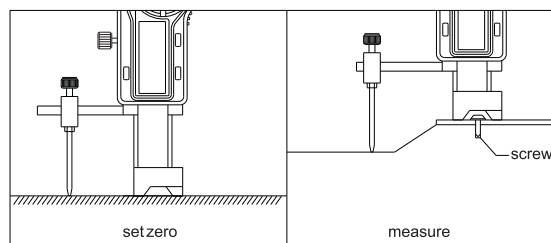
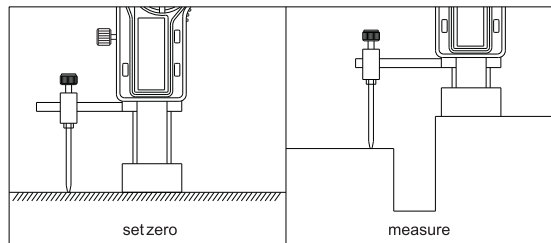
999-020-11



999-020-12



unit: mm



Code	Range	Accuracy
999-020-11	0-±20mm/0-±0.8"	±0.02mm
999-020-12	0-±20mm/0-±0.8"	±0.02mm