

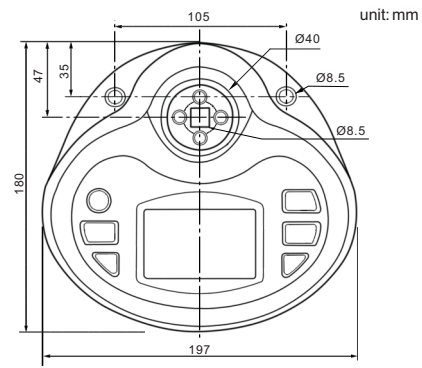
SERIES TTB

DIGITAL TORQUE METER

- ◆ For torque wrench and torque screwdriver calibration
- ◆ Peak, preset and real-time working mode
- ◆ Unit: N.m, N.cm, kgf.cm, lbf.cm, lbf.in
- ◆ Memory: 1000
- ◆ Power off automatically
- ◆ With software, can show the torque graph



TTB10



TTB500

SPECIFICATION

NEW

Code	TTB5	TTB10	TTB50	TTB100	TTB500
Range	5N.m	10N.m	50N.m	100N.m	500N.m
Accuracy	±0.3%				
Resolution	0.0005N.m	0.001N.m	0.005N.m	0.01N.m	0.05N.m
Size of square drive	1/2"				3/4"
Output	USB and RS232				
Power	rechargeable battery				
Weight	1.5kg				

INCLUDED ACCESSORIES

Main unit	1pc
Charger	1pc
Software with cable	1pc
Convertor	1pc

OPTIONAL ACCESSORIES

Wireless printer	PR100
Stand(Arm length:150-600mm)	TTB-ST1
Stand(Arm length:150-1000mm)	TTB-ST2