

# SERIES TTS

# DIGITAL TORQUE METER

- ◆ Adjustable open size for fixing
- ◆ Peak, preset and real-time working mode
- ◆ Unit: N.m, N.cm, kgf.cm, lbf.cm, lbf.in
- ◆ Memory: 1000
- ◆ Power off automatically
- ◆ With software, can show the torque graph

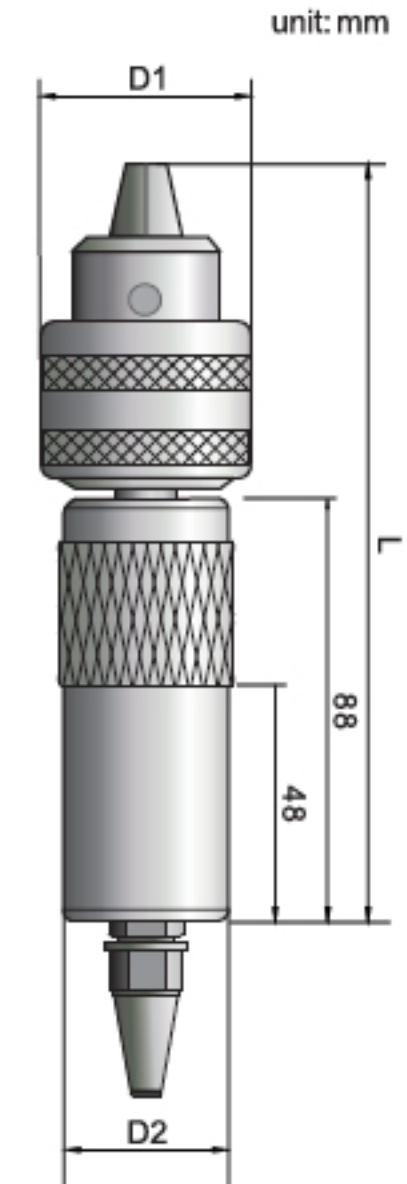
## SPECIFICATION

**\*NEW**

Code	TTS1	TTS5	TTS10
Range	0.05-1N.m	0.25-5N.m	0.5-10N.m
Open size	Ø10mm	Ø10mm	Ø13mm
Resolution	0.0001N.m	0.0005N.m	0.001N.m
Accuracy	±0.3%		
Memory	1000		
Output	USB and RS232		
Power	rechargeable battery		
Weight	0.7kg		



**TTS5**



## INCLUDED ACCESSORIES

Main unit	1pc
Charger	1pc
Software with cable	1pc
Wrench	1pc

## OPTIONAL ACCESSORIES

Wireless printer PR100

Code	L	D1	D2
TTS1	156mm	Ø43	Ø40
TTS5	156mm	Ø43	Ø46
TTS10	178mm	Ø53	Ø46