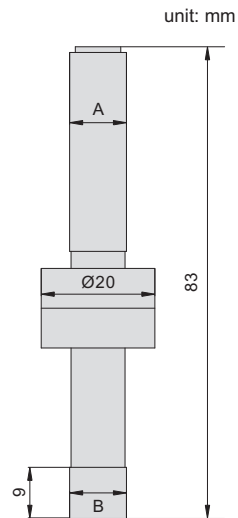
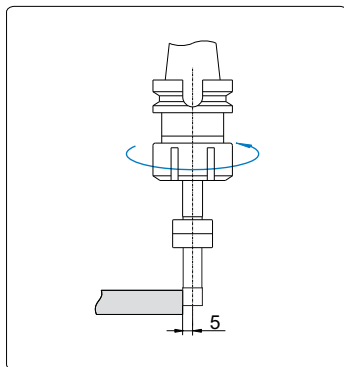


694

EDGE FINDER

- ◆ Hardened shank and contact point
- ◆ Suitable for machine speed 400~600rpm



Code	Shank(A)	Contact point(B)	Accuracy
694-020-11	Ø10mm	Ø10mm	5µm