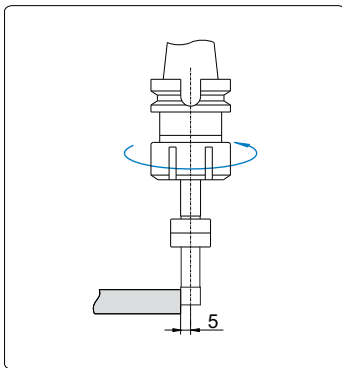


# SERIES 694

# NON-MAGNETIC EDGE FINDER



- ◆ Non-magnetic
- ◆ TIALN coating, hardness HV3500;  
TIN coating, hardness HV2300,  
extremely wear resistance
- ◆ Suitable for machine speed 400~600rpm



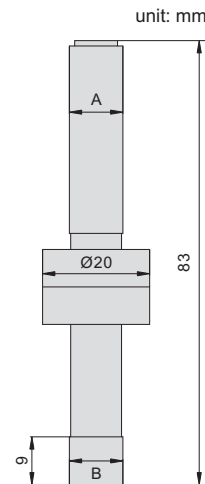
TIALN

694-020-12



TIN

694-020-13



Code	Shank(A)	Contact point(B)	Accuracy
694-020-12	Ø10mm	Ø10mm	5µm
694-020-13	Ø10mm	Ø10mm	5µm