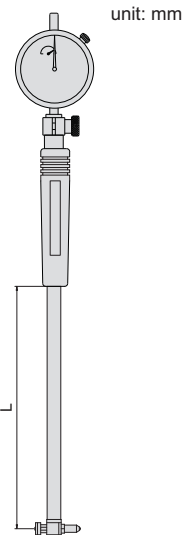
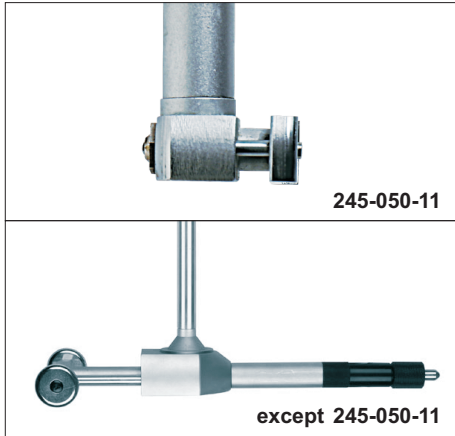


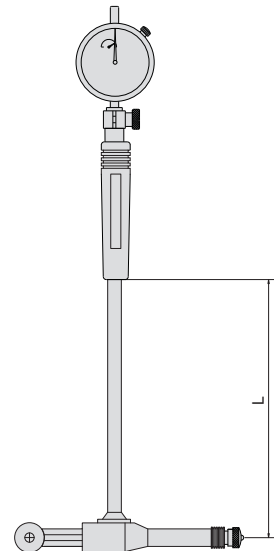
SERIES 245

LARGE DIAMETER DIAL BORE GAUGES

- ◆ Carbide tipped contact point, wheel guide
- ◆ Optional accessory: series 531 setting rings



Range: 18-50mm



Range: 30-1000mm

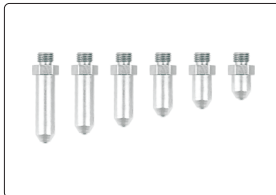
Bore gauge setter for setting zero (optional)



Setting ring (optional)



Measuring tips (included)



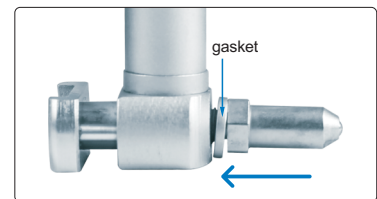
Measuring tips (included)



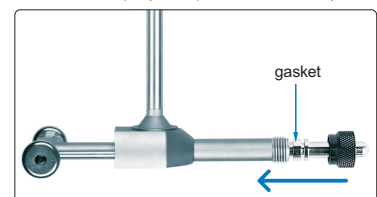
gasket (included)



Install tips (245-050-11)



Install tips (except 245-050-11)



Code	Range	Dial indicator	Tips	Gasket	Probe Travel	Extension rod	L
245-050-11	18-50mm	Range: 10mm graduation: 0.01mm	8pcs	2pcs	1.5mm	1	150
245-100-11	30-100mm		5pcs	3pcs	1.8mm	2	150
245-100-12	50-100mm		10pcs	2pcs	4mm	-	200
245-160-11	100-160mm		7pcs	4pcs	4mm	-	300
245-250-11	160-250mm		6pcs	4pcs	3mm	2	250
245-300-11	100-300mm		5pcs	4pcs	4mm	2	400
245-450-11	250-450mm		5pcs	4pcs	6mm	2	500
245-700-11	450-700mm		5pcs	4pcs	8mm	4	500
245-1000-11	700-1000mm		5pcs	4pcs	8mm	5	500