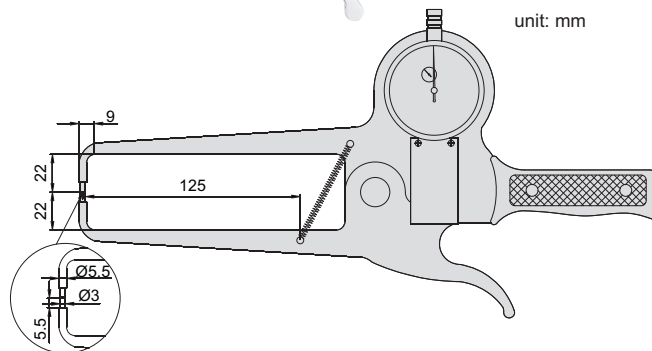
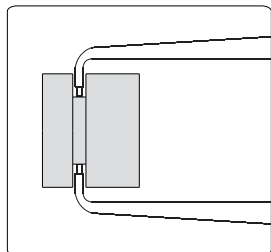


428

EXTERNAL DIAL CALIPER GAUGE

◆ Measure the external dimension



Code	Range	Graduation	Accuracy
428-050-05	0-50mm	0.05mm	±0.1mm