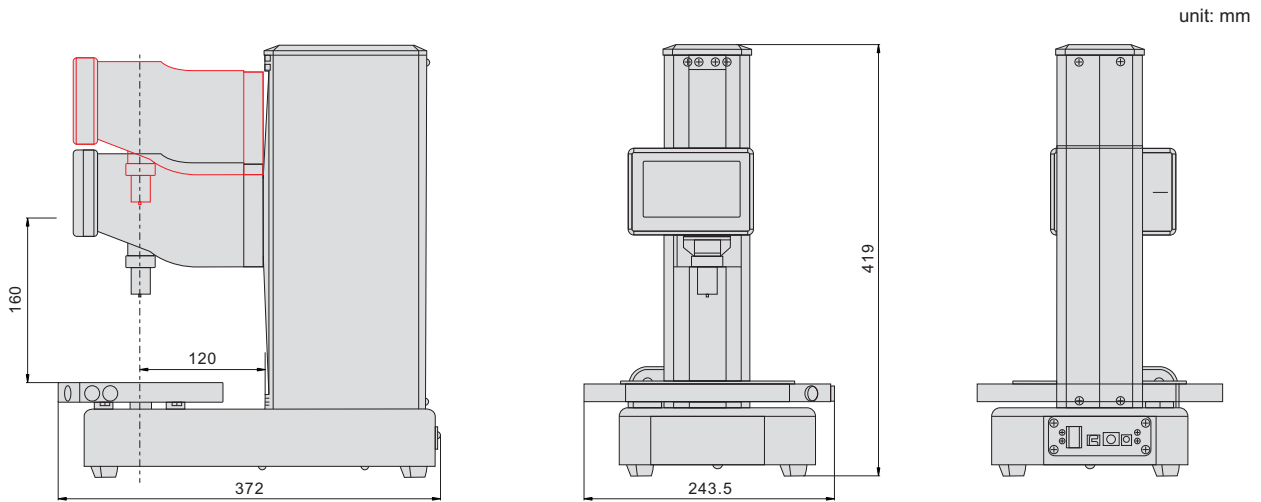
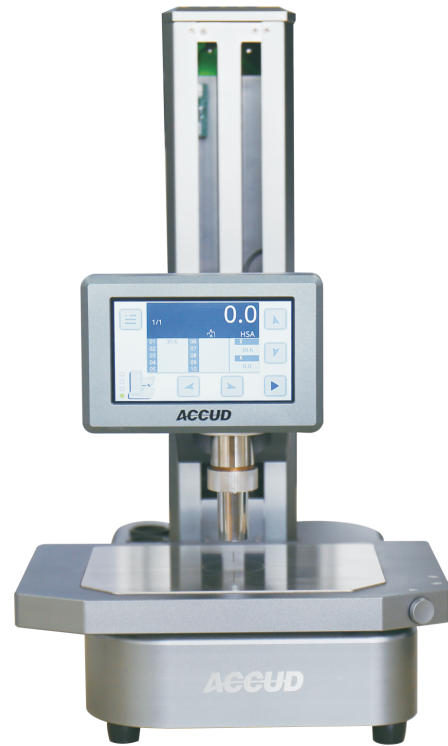




- ◆ Put the workpiece under the indenter, and press one button, the measuring results will be shown soon
- ◆ Can measure plastic, rubber, sponge with different hardness
- ◆ Include three indenters (type A, D, OO)
- ◆ Touch screen
- ◆ With data output



### SPECIFICATION

Probe moving range	160mm
Stage moving range(X)	80mm
Loading control	Stepping motor
Loading force	Spring force
Max. workpiece height	120mm
Accuracy	±1
Resolution	0.1
Output	USB
Power supply	DC24V/5A

### INCLUDED ACCESSORIES

Main unit	1pc
AD/DC adapter	1pc
Software and USB cable	1pc.each
A/D/OO indenter	1pc.each
Calibration block	2pcs