

120-024-51

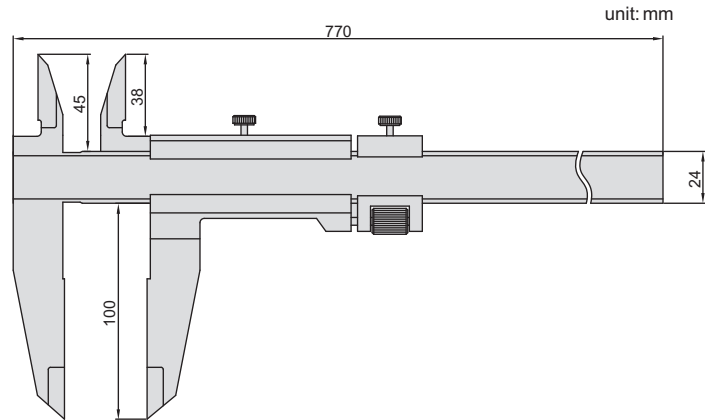
- ◆ Made of stainless steel
- ◆ Satin chrome plated reading surface

Graduation 0.02mm/0.001"

code	Range	Accuracy
120-024-11	0-600mm/0-24"	±0.06mm

Graduation 0.05mm/1/128"

code	Range	Accuracy
120-024-51	0-600mm/0-24"	±0.08mm



unit: mm

